



REVI_{20/20} wifi ion

DEHUMIDIFIER

DEZUMIDIFICATOR

LUFTENTFEUCHTER

DESHUMIDIFICADOR

DÉSHUMIDIFICATEUR

DEUMIDIFICATORE

Instruction manual
Manual de instructiuni
Bedienungsanleitung
Manual de instrucciones
Manuel d'instructions
Manuale di istruzioni



EN RO DE ES FR IT

turbionaire.com

EN: CONTENT

1.	BEFORE YOU BEGIN	4
2.	FOR YOUR SAFETY	5
3.	PRODUCT OVERVIEW	9
4.	INSTALLATION	11
5.	OPERATION	12
6.	MAINTENANCE	16
7.	TROUBLESHOOTING	17
8.	DECOMMISSIONING	18
9.	SMART LIFE APP - user manual	19

Thank you for selecting our dehumidifier.
Be sure to read this manual carefully before using it.
Please keep this manual carefully for further reference!

1. BEFORE YOU BEGIN

Please read the operating instructions carefully before using your dehumidifier for the first time.

A. PRODUCT DESCRIPTION

The dehumidifier is used to remove excessive moisture from the air. The resulting reduction in relative humidity protects buildings and their contents from the adverse effects of excess humidity.

The environmentally friendly R290 is used as the refrigerant. R290 has no damaging influence on the ozone layer (ODP), a negligible greenhouse effect (GWP) and is available worldwide. Because of its efficient energy properties, R290 is highly suitable as a coolant for this application. Special precautions must be taken into consideration due to the coolant's high flammability.

B. SYMBOLS ON THE UNIT AND USER MANUAL



Warning!

This unit uses a flammable refrigerant. If refrigerant leaks and comes in contact with fire or heating part, it will create harmful gas and there is risk of fire.



Read the USER MANUAL carefully before operation.



Further information is available in the USER MANUAL, SERVICE MANUAL, and the like.



Service personnel are required to carefully read the USER MANUAL and SERVICE MANUAL before operation.

C. THE FOLLOWING SHOULD ALWAYS BE OBSERVED FOR SAFETY

- This appliance is intended to be used by expert or trained users in shops, in light industry and on farms, or for commercial use by lay persons.
- This appliance can be used by children aged from 8 years and above and persons with reduced physical, sensory or mental capabilities or lack of experience and knowledge if they have been given supervision or instruction concerning use of the appliance in a safe way and understand the hazards involved.
- This appliance is not a toy. Children under 3 must be continuously monitored and kept away from it.
- Cleaning and user maintenance shall not be made by children.
- The unit is designed only for use with R-290(propane) gas as the designated refrigerant.
- The refrigerant loop is sealed. Only a qualified technician should attempt to service!
- Do not discharge the refrigerant into the atmosphere.
- R-290 (propane) is flammable and heavier than air.
- It collects first in low areas but can be circulated by the fans.
- If propane gas is present or even suspected, do not allow untrained personnel to attempt to find the cause.
- The propane gas used in the unit has no odor.
- The lack of smell does not indicate a lack of escaped gas.
- If a leak is detected, immediately evacuate all persons from the store, ventilate the room and contact the local fire department to advise them that a propane leak has occurred.
- Do not let any persons back into the room until the qualified service technician has arrived and that technician advises that it is safe to return to the store.
- No open flames, cigarettes or other possible sources of ignition should be used inside or in the vicinity of the units.
- Component parts are designed for propane and non-incentive and non-sparking. Component parts shall only be replaced with identical repair parts.

FAILURE TO ABIDE BY THIS WARNING COULD RESULT IN EXPLOSION, DEATH, INJURY AND PROPERTY DAMAGE

2. FOR YOUR SAFETY

Your safety is the most important thing we concerned!



Please read this manual carefully and fully understand before operating your dehumidifier.

A. OPERATIONAL PRECAUTIONS

WARNING: to reduce the risk of fire, electric shock or injury to persons or property:

- If the supply cord is damaged, it must be replaced by the manufacturer, its service agent or similarly qualified persons in order to avoid a hazard.
- The appliance shall be disconnected from its power source during maintenance.
- Always operate the unit from a power source of equal voltage, frequency and rating as indicated on the product identification plate.
- Always use a power outlet that is grounded.
- Unplug the power cord when cleaning or when not in use.
- Do not operate with wet hands. Prevent water from spilling onto the unit.
- Do not immerse or expose the unit to rain, moisture or any other liquid.
- Do not leave the unit running unattended. Do not tilt or turn over the unit.
- Do not unplug while the unit is operating.
- Do not unplug by pulling on the power cord.
- Do not use an extension cord or an adapter plug.
- Do not put objects on the unit.
- Do not climb or sit on the unit.
- Do not insert fingers or other objects into the air outlet.
- Do not touch the air inlet or the aluminum fins of the unit.
- Do not operate the unit if it is dropped, damaged or showing signs of product malfunction.
- Do not clean the appliance with any chemicals.
- Ensure the unit is far away from fire, inflammable, or explosive objects.
- The unit shall be installed in accordance with national wiring regulations.
- Do not use means to accelerate the defrosting process or to clean, other than those recommended by the manufacture.
- The appliance shall be stored in a room without continuously operation sources (for example: open flames, an operating gas appliance or an operating electric heater).
- The appliance shall be stored so as to prevent mechanical damage from occurring.
- Do not piece or burn, even after use.
- Be aware that refrigerants may not contain an odor.
- Pipe-work shall be protected from physical damage and shall not be installed in an unventilated space, if that space is smaller than 4m².
- Compliance with national gas regulations shall be observed.
- Keep any required ventilation openings clear of obstruction.
- The appliance shall be stored in a well-ventilated area where the room size corresponds to the room area as specified for operation.



Any person who is involved with working on or breaking into a refrigerant circuit should hold a current valid certificate from an industry-accredited assessment

authority, which authorizes their competence to handle refrigerants safely in accordance with an industry, recognized assessment specification.



Servicing shall only be performed as recommended by the equipment manufacturer. Maintenance and repair requiring the assistance of other skilled personnel shall be carried out under the supervision of the person competent in the use of flammable refrigerants.

If you don't understand something or need help, please contact the dealer services.

B. SAFETY PRECAUTIONS ON SERVICING

Please follow these warnings when to undertake the following when servicing a dehumidifier with R290.

i. Checks to the area

Prior to beginning work on systems containing flammable refrigerants, safety checks are necessary to ensure that the risk of ignition is minimized. For repair to the refrigerating system, the following precautions shall be complied with prior to conducting work on the system.

ii. Work procedure

Work shall be undertaken under a controlled procedure so as to minimize the risk of a flammable gas or vapor being present while the work is being performed.

iii. General work area

All maintenance staff and others working in the local area shall be instructed on the nature of work being carried out. Work in confined spaces shall be avoided. The area around the workspace shall be sectioned off. Ensure that the conditions within the area have been made safe by control of flammable material.

iv. Checking for presence of refrigerant

The area shall be checked with an appropriate refrigerant detector prior to and during work, to ensure the technician is aware of potentially flammable atmospheres. Ensure that the leak detection equipment being used is suitable for use with flammable refrigerants, i.e. no sparking, adequately sealed or intrinsically safe.

v. Presence of fire extinguisher

If any hot work is to be conducted on the refrigeration equipment or any associated parts, appropriate fire extinguishing equipment shall be available to hand. Have a dry powder or CO₂ fire extinguisher adjacent to the charging area.

vi. No ignition sources

No person carrying out work in relation to a refrigeration system which involves exposing any pipe work that contains or has contained flammable refrigerant shall use any sources of ignition in such a manner that it may lead to the risk of fire or explosion. All possible ignition sources, including cigarette smoking, should be kept sufficiently far away from the site of installation, repairing, removing and disposal, during which flammable refrigerant

can possibly be released to the surrounding space. Prior to work taking place, the area around the equipment is to be surveyed to make sure that there are no flammable hazards or ignition risks. "No Smoking" signs shall be displayed.

vii. Ventilated area

Ensure that the area is in the open or that it is adequately ventilated before breaking into the system or conducting any hot work. A degree of ventilation shall continue during the period that the work is carried out. The ventilation should safely disperse any released refrigerant and preferably expel it externally into the atmosphere.

viii. Checks to the refrigeration equipment

Where electrical components are being changed, they shall be fit for the purpose and to the correct specification. At all times the manufacturer's maintenance and service guidelines shall be followed. If in doubt consult the manufacturer's technical department for assistance.

The following checks shall be applied to installations using flammable refrigerants:

- The charge size is in accordance with the room size within which the refrigerant containing parts are installed;
- The ventilation machinery and outlets are operating adequately and are not obstructed;
- If an indirect refrigerating circuit is being used, the secondary circuit shall be checked for the presence of refrigerant;
- Marking to the equipment continues to be visible and legible. Markings and signs that are illegible shall be corrected;
- refrigeration pipe or components are installed in a position where they are unlikely to be exposed to any substance which may corrode refrigerant containing components, unless the components are constructed of materials which are inherently resistant to being corroded or are suitably protected against being so corroded.

ix. Checks to electrical devices

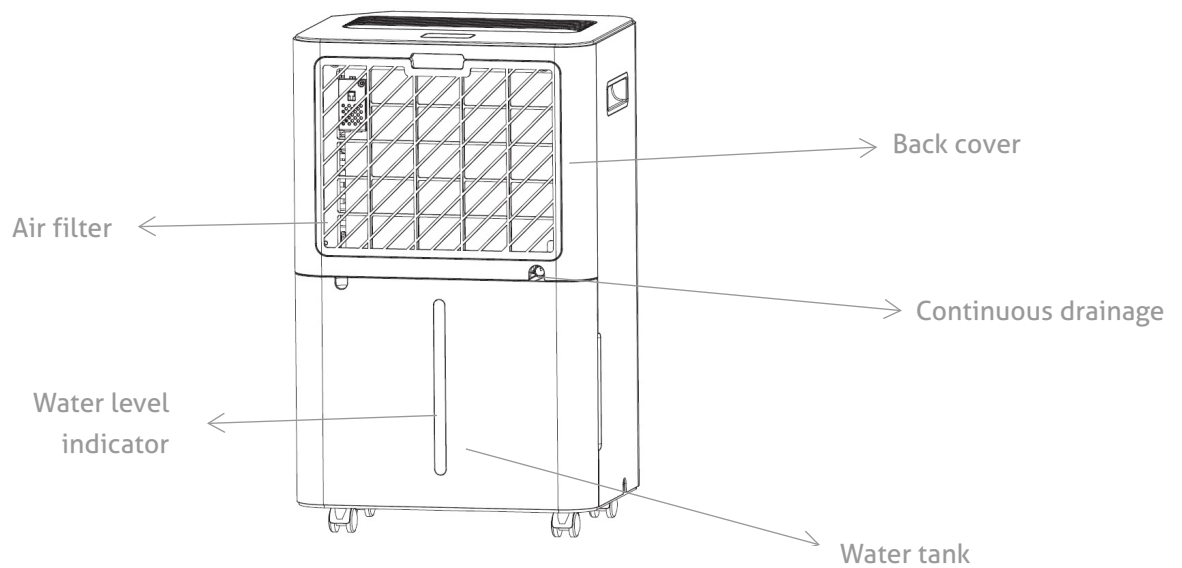
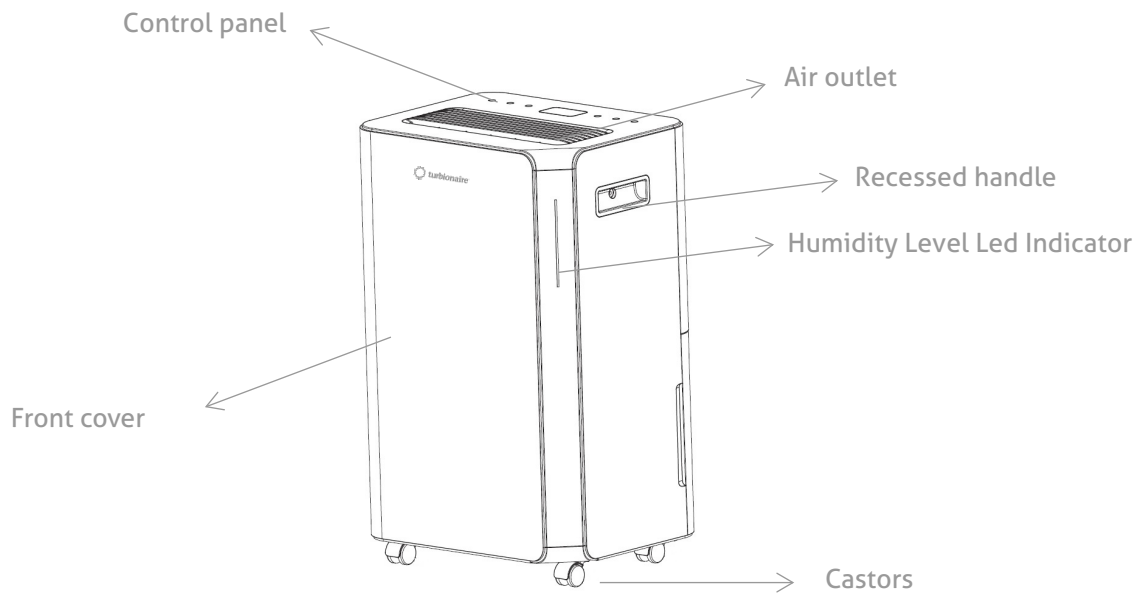
Repair and maintenance to electrical components shall include initial safety checks and component inspection procedures. If a fault exists that could compromise safety, then no electrical supply shall be connected to the circuit until it is satisfactorily dealt with. If the fault cannot be corrected immediately but it is necessary to continue operation, an adequate temporary solution shall be used. This shall be reported to the owner of the equipment so all parties are advised.

Initial safety checks shall include:

- Those capacitors are discharged: this shall be done in a safe manner to avoid possibility of sparking;
- That there no live electrical components and wiring are exposed while charging, recovering or purging the system;
- That there is continuity of earth bonding

3. PRODUCT OVERVIEW

A. FRONT AND REAR VIEW



B. FEATURES

- Powerful moisture removal
- Monitoring and display of current humidity (Led indicator in colors)
- Auto mode automatically adjusts humidity levels
- 24-hour timer to set the time of operation
- Effectively removes moisture, dust from the air
- Low power consumption-energy efficient
- Quiet fan has two speed settings
- Auto-Defrost at low temperature
- Auto shut-off/ auto restart
- Electronic control
- Laundry drying function (Continuous Mode)
- Dust Filter
- WiFi Connection (*for REVI 20 WIFI ION model*)
- Ionizer air purify function (*for REVI 20 WIFI ION model*)
- Continuous drainage
- 4.5L water tank

C. TECHNICAL SPECIFICATIONS

MODEL	REVI 20/ REVI 20 WIFI ION
Dehumidification Capacity	20L/Day (30°C, 80%)
Power Supply	AC220-240V/50Hz
Power Consumption	330W/2.3A
Noise	≤41dB(A)
Water tank capacity	4.5L
Net weight	13.5kg
Minimum Room size	4 m² (Floor area)
Dimensions	305x235x495 mm

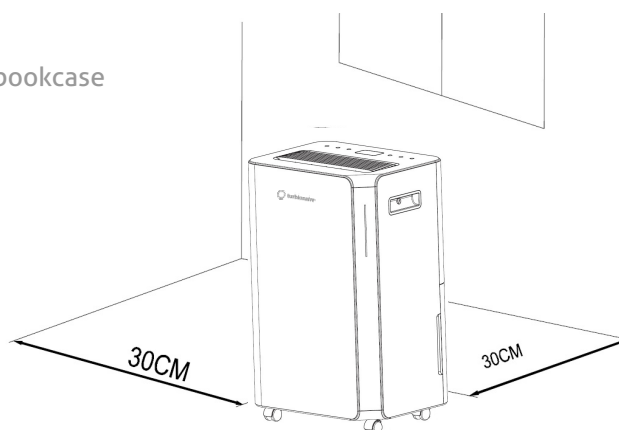
4. INSTALLATION

A. PLACING THE DEHUMIDIFIER

Place the unit on a firm, level surface in an area with at least 30 cm of free space around it to allow for proper air circulation.

Never install the unit where it could be subject to:

- Heat sources such as radiators, heat registers, stoves or other products that produce heat.
- In an area where oil or water may be splashed
- Direct sunlight
- Mechanical vibration or shock
- Excessive dust
- Lack of ventilation, such as cabinet or bookcase
- Uneven surface



WARNING

Install the unit in rooms which exceed 4 m².

Do not install the unit in a place where inflammable gas may leak.



NOTE

The manufacture may provide other suitable example or may provide additional information about the refrigerant odor.

B. OPERATING THE DEVICE SAFELY

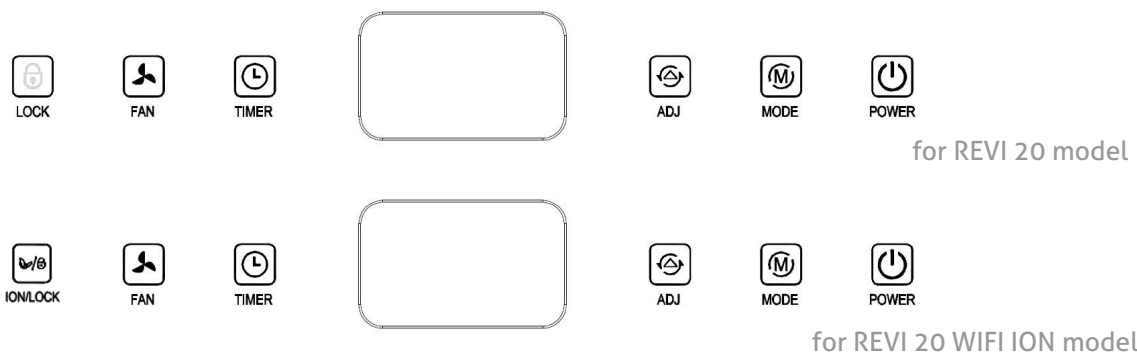
- Check the device after unpacking for any damages or scratches on it.
- Operate this unit in an ambient temperature from 5°C to 38°C.
- Do not use in the outdoors. This dehumidifier is intended for indoor residential applications only.
- Do not operate in close proximity to walls, curtains, or other objects that may block inlet and outlet.
- Keep the air inlet and outlet free of obstacles.
- Adjusting the wind deflector in the upward direction prior to start up.
- If tipped more than 45°, allow the unit to set upright for at least 24 hours before start up. Keep doors and windows close for better energy saving. Do not operate or store the unit in direct sunlight or rain. It is normal for air outlet to feel warm to touch after continuous operation on hot days.
- Empty the water tank before moving the device. Make sure the Water tank is correctly fitted otherwise the unit will not operate properly.

- The dehumidifier starts up in the mode selected when the unit was last used.
- The dehumidifier starts dehumidifying if the room humidity is 3% higher than the selected humidity.
- There is a protective 3-minutes time delay of the compressor. Wait 3 minutes for the dehumidifier to resume dehumidification.

5. OPERATION

When the Ambient Humidity Level $\leq 45\%$ - the Humidity Level Led indicator will show the BLUE color
 $45\% < \text{Ambient Humidity Level} < 65\%$ - the Humidity Level Led indicator will show the GREEN color
 Ambient Humidity Level $\geq 65\%$ - the Humidity Level Led indicator will show the RED color
 When the digital display shows an Error code, the Humidity level ed indicator will show RED color

Control Panel



POWER Button - Touch this button to switch the unit On or Off.

MODE Button - Touch this button to choose Auto, Sleep or Continuous Dry mode.

HUM Button - Touch this button to adjust the humidity level and choose timer hour.

TIMER Button - Touch this button to set a time for the unit to automatically start or stop.

To **activate WiFi**, touch the **TIMER** button for at least 5 seconds. The display will show the WiFi indicator flashing (**for the REVI 20 WiFi ION model**)



NOTE: To use the WiFi function, consult the instructions at the end of this user manual.

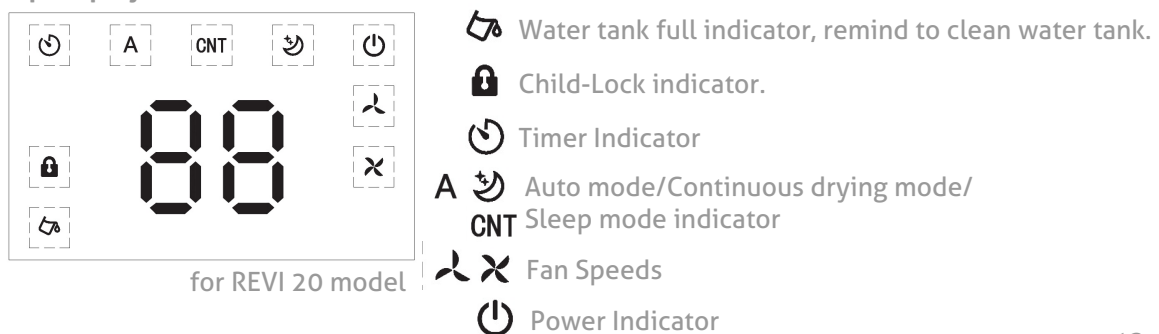
FAN Speed Button - Touch this button to select fan speed between high and low.

ION/LOCK Button (for Revi 20 WIFI ION model) - Press ION/LOCK button to start air purify function. Long press this button for 3 seconds to turn child lock function on or off.

LOCK Button (for Revi 20 model) - Touch this button to turn child lock function on or off. **Digital**

Display - It displays the humidity value, timer setting, temperature and other information according to the images below, depending on the model.

Top Display





for REVI 20 WIFI ION model

- Water tank full indicator, remind to clean water tank.
- Child-Lock indicator.
- Ionizer Air purify indicator
- Timer indicator
- Auto mode/ Continuous drying mode/ Sleep mode.
- Power indicator
- Low/ High fan speed indicator
- Wifi indicator



POWER

POWER In standby, press the power button to turn on, the operation indicator lights up and the default fan speed is high, and the default humidity is 50%. In the power-on state, press the power button to turn off, the running indicator light goes off and the compressor stops immediately, and then the fan shut down after 30 seconds delay.



MODE

MODE Touch the mode key to switch between automatic, Sleep and dry mode.

- **Auto mode:** when environmental humidity \geq set humidity 3%, the fan starts working and compressor starts working after 3 seconds. When environmental humidity \leq set humidity -3%, the compressor stops working and fan stops working after 30" seconds delay. Touch ADJ button to adjust the humidity level from 30% to 80% in automatic mode. Both fan speed and humidity can be adjusted under auto mode.
- **Drying Mode (Continuous Mode):** The unit continues to run, fan speed can be adjusted, the humidity cannot be adjusted.
- **Sleep Mode:** Touch the sleep button, the button lights up and start the sleep function, default humidity is 60%. If the control panel is not operated within 10 seconds, all indicators turns dark gradually and the fan speed is automatically switched from high to low. Touch SLEEP button again to exit the sleep mode. Both fan speed and humidity can be adjusted under sleep mode. Touch MODE button again to exit the SLEEP mode.



TIMER

TIMER Touch the timer button to set the 00-24 hour timing function. Display panel "88" flashes and will show timer hour, Touch ADJ button, the value increase 1 hour, the value displayed on the "88" display screen. In the running state, use the timer function to turn off the unit regularly. Set the time to "00" to cancel the timing function.



FAN SPEED

FAN High fan - low fan cycle, touch the button once to switch and then the corresponding indicator lights up. In continuously drying mode, and defrosting period, the fan speed can not be changed.



ION/ LOCK (for REVI 20 WIFI ION model)

ION/LOCK Press this button to turn on or off ionizer air purify function.
Long press the child lock button for 3 seconds to turn on or off the child lock function.



CHILD-LOCK (LOCK) (for REVI 20 model)

LOCK

Long press the child lock button to turn on or off the child lock function.

Water Tank Full Alarm/ Water Tank Indicator

When the tank is full, it sets the alarm for 5 seconds. The full tank LED indicator turns red

- **Clear the alarm**

When the buzz is on, press any button to stop it. The compressor and the fan shut down and all the functions freeze until the water tank is emptied and back in right position.

A. Drainage

There are two ways of removal collected water produced by the unit.

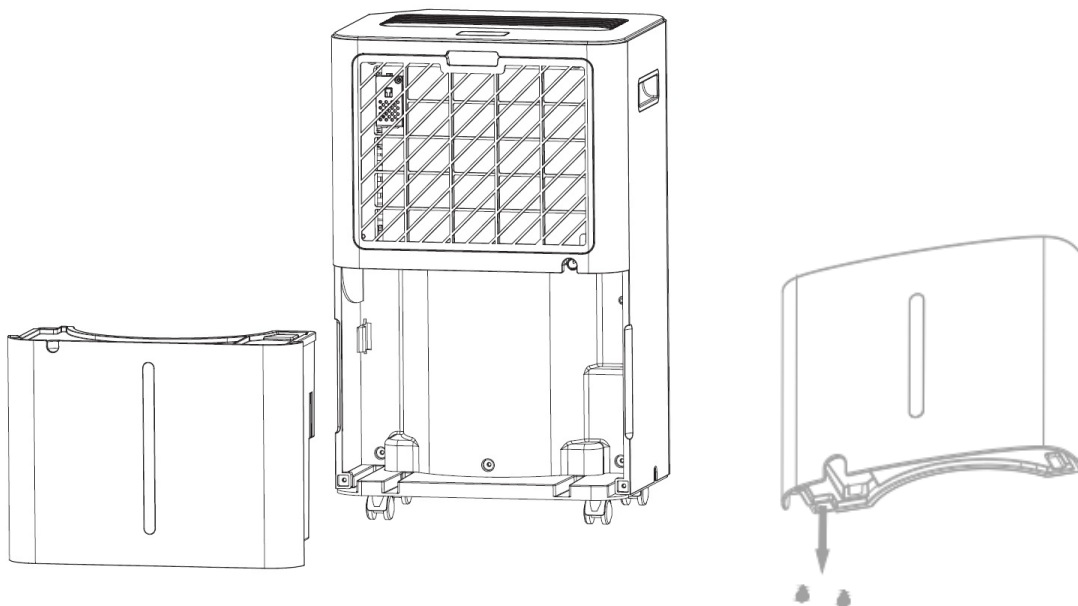
A. Manual draining: the water tank is removed manually.

B. Continuous draining: attach a drain hose to the unit so that the condensed water is drained by using gravity.

B. Emptying the water tank

The unit will shut down once the water tank is full. It will run again once you have emptied the water tank and reinstalled it properly. When the tank is full, the unit will make a buzzing sound, and the "Water Full" LED will turn on.

- Touch the POWER button to turn off the unit.
- Pull on the water tank and slide out of the body of the dehumidifier.
- Empty the water into an area with a drain or outside.
- Clean the inside of the tank, if necessary, as well as the outside.
- Replace the empty tank back into the unit.
- Press the POWER button to restart the unit.
- If the "Water Full" LED is still on, check if the water tank float is correctly placed and free from any blocking.

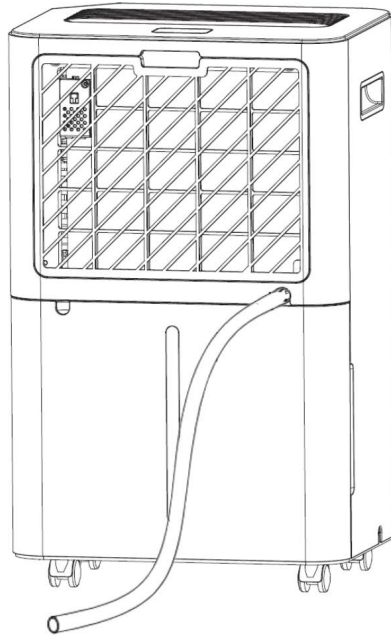


C. Continuous drainage

For continuous operation or unattended dehumidification, please connect the attached drain hose to the unit. Condensate water drains freely into a bucket or drainage hole by using gravity.

- Place the unit on a horizontal and stable surface.
- Switch off the unit before operating.

Continuous drainage outlet



- Securely and properly connect the drain hose and make sure it is not obstructed.
- Place the outlet end of hose into a drainage hole or bucket and ensure that water can freely drain out of the unit.
- Do not submerge the end of hose into water; otherwise it can cause "Air Lock" in the hose.

To avoid water spillage:

- As the negative pressure of condensate drain pan is large, tilt the drain hose downwards toward the floor. It is appropriate that the degree of inclination should exceed 20 degrees.
- Straighten the hose to avoid bending.

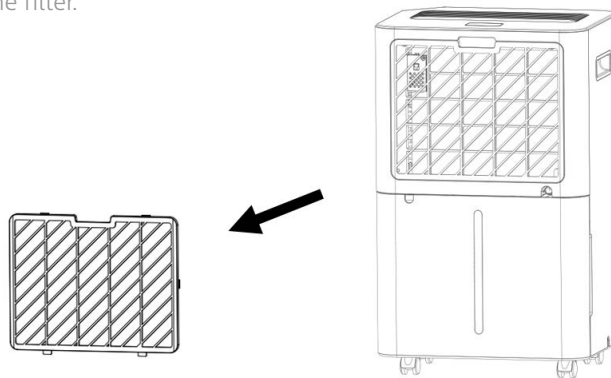
6. MAINTENANCE

Cleaning the Air Filter

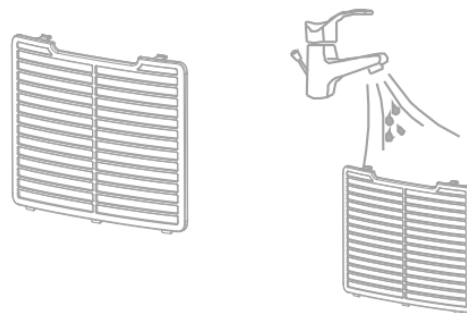
Clean the filter at least every two weeks or whenever needed. The deposits accumulated on an unclean filter can be absorbed by the fan then remain attached to the evaporator, condenser and other components inside the unit, which can reduce the unit's efficiency and lead to various malfunctions that are not covered by the guarantee.

If any deposits are found inside the unit, contact the nearest authorized service for professional cleaning. Do not perform internal cleaning operations (other than cleaning and washing the washable filter) by yourselves. Always contact qualified technical personnel.

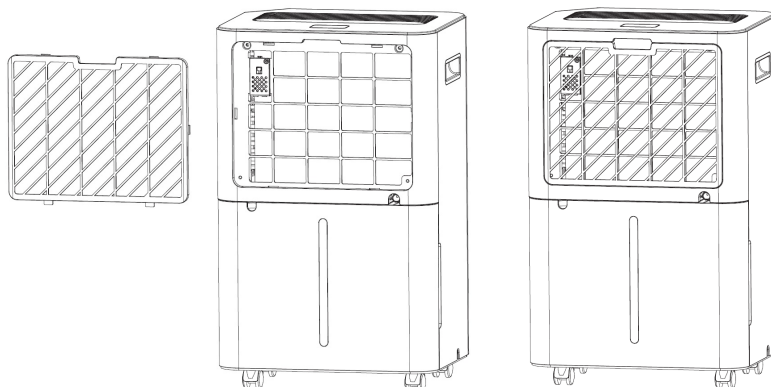
- a) Remove the filter grid and take off the filter.



- b) Use a vacuum cleaner to gently absorb the dust on the surface of the filter. Soak the strainer in warm water at about 40 degrees Celsius. If the filter is very dirty, wash it with water and a soft detergent and dry it thoroughly afterwards.



- c) Put the filter back to its initial place, which is in the back of the unit.



7. TROUBLESHOOTING

A. FUNCTIONING TEMPERATURE

5°C ≤ Ambient Temperature ≤ 38°C When the ambient temperature is lower or higher than the functioning temp, the dehumidifier stops.

When 5°C ≤ Ambient temp. ≤ 16°C, the compressor automatically defrosts at intervals; during defrosting, the compressor stops and the fan keeps running.

B. BEFORE CALLING FOR SERVICE

Before contacting professional service, please review the trouble shooting list that includes common occurrences that are not the result of a defect in workmanship or materials.

Problem	Possible Cause	Solution
Not working	No power supply	Connect to a functioning outlet and switch on
	Water Full Indication Flashes	Drain water tank and replace it back into the unit.
	Room temperature <5°C or >38°C	Self-Protection designed to protect the unit. Cannot work under such temperature.
Bad functioning	Is the air filter clogged?	Clean the air filter as instructed
	Is the intake duct or discharge duct obstructed?	Remove the obstruction from the discharge duct or intake duct.
No air intake	Is the filter clogged?	Wash the filter
Loud noise when running	Is the unit placed on a horizontal and flat surface?	Place the unit correctly
	Is the filter clogged?	Wash the filter
E1/E2	Humidity sensor problem	Change a sensor
LO	Environmental humidity is below 20%	The dehumidifier shuts down for self-protection
HI	Environmental humidity is above 90%	
CL	Low temperature protection, the environmental temperature <5°C	
CH	High temperature protection, the environmental temperature >35°C	

8. DECOMMISSIONING

8.1 STORAGE

Long-term storage – If you will not be using the unit for an extended period of time (more than a few weeks) it is best to clean the unit and dry it out completely. Please store the unit per the following steps:

- a) Press power button to switch off and unplug the unit.
- b) Drain the remaining water from the unit.
- c) Clean the filter and let the filter dry completely in a shaded area.
- d) Collect the power cord at the water tank.
- e) Re-install the filter at its position.
- f) The unit must be kept in upright position when in storage.
- g) Preserving the machine in ventilating, dry, non- corrosive gas and safe place indoor.

ATTENTION: The evaporator inside the machine has to be dried out before the unit is packed to avoid component damage and molds. Unplug the unit and place it in a dry open area for days to dry it out. Another way to dry the unit is to set the humidity point more than 5% higher than the ambient humidity to force the fan to dry the evaporator for a couple of hours.

8.2 DISPOSAL



WARNING!!! Releasing refrigerant into atmosphere is strictly forbidden!

Do not dispose of electrical appliances as unsorted municipal waste, use separate collection facilities. Contact your local government for information regarding the collection systems available. If electrical appliances are disposed of in landfills or dumps, hazardous substances can leak into the groundwater and get into the food chain, damaging your health and well-being.

SMART LIFE - APP'S USER MANUAL for REVI 20 WiFi ION

The "Smart Life" app is available for android and iOS.

Scan with your smartphone to the corresponding QR code to get directly to the download.

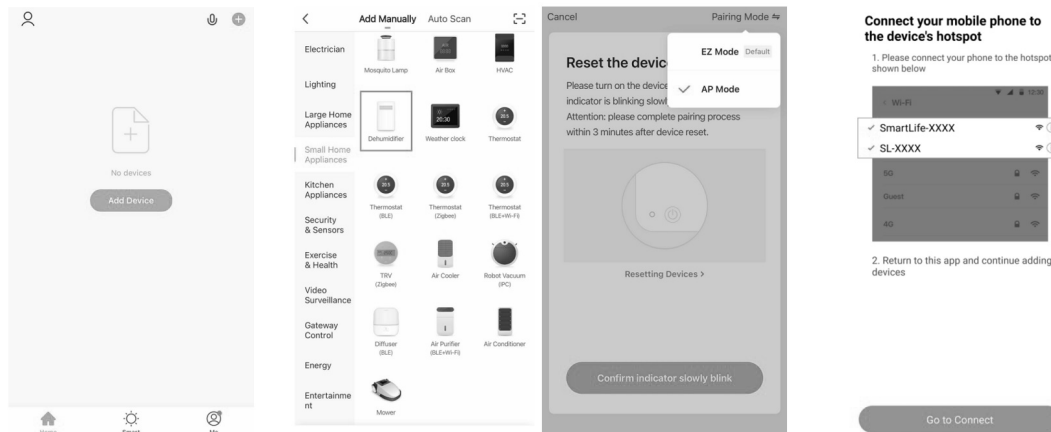


How to Use the App

This appliance allows you to operate the appliance via your WIFI home network. A prerequisite is a permanent WIFI connection to your router and the free app "Smart Life". We recommend disconnecting the appliance from the power supply when you are away from home to prevent unintentional switching on while you are on the road!

Commissioning via the App

1. Install the "Smart Life" app. Create a user account.
2. Activate the WIFI function in the settings of your appliance - touch TIMER button for at least 5 seconds
3. Place the appliance at a distance of about 5 meters to your router.
4. As long as the power is turned on, the WIFI indicator flashes slowly. After 3 minutes, the status will be canceled if there is no network configuration, and the indicator light is off. If you need to re-connect the WIFI, long-touch the "TIMER" button for 5 seconds to start the network configuration, the WIFI indicator flashes slowly.
5. When the WIFI indicator flashes slowly, select "Add Device"->"Small Home Appliances"->"Dehumidifier", and follow the instructions on the Smart Life app. Select "AP Mode" on the upper right of the app, choose "Confirm indicator slowly blink" and press "Go to Connect" to connect the WIFI named "SmartLife-XXXX".
6. If the WIFI indicator flash rapidly, it can be connected directly.
7. Once the appliance has been successfully connected, the WIFI lamp lights up. Now you can operate the appliance using the app.
8. Press and hold the TIMER button for about 5 seconds, the appliance disconnect and the WIFI indicator off.



TROUBLESHOOTING

Network connection failed	Solution
Network connection timeout	<ol style="list-style-type: none">1. Check if you select the WIFI named "SmartLife-XXXX".2. Turn off the machine and unplug the power cord and plug it in after 10 seconds, then enter the App to connect again.
WIFI indicator off	Long press the "Timer" button or Turn off the machine and unplug the power cord and plug it in after 10 seconds.
The WIFI hotspot disappears and the WIFI light flashes	Turn off the machine and unplug the power cord and plug it in after 10 seconds, then enter the App to connect again.

RO: CUPRINS

1. NOȚIUNI PRELIMINARE	21
2. INSTRUCȚIUNI PRIVIND SIGURANȚA	23
3. PREZENTAREA PRODUSULUI	26
4. INSTALARE	28
5. FUNCȚIONARE	30
6. ÎNTREȚINERE	34
7. DEPANARE	35
8. ELIMINARE	36
9. SMART LIFE APP - manual utilizare	37

Vă mulțumim că ați ales dezumidificatorul nostru.

Asigurați-vă că citiți cu atenție acest manual înainte de utilizarea dezumidificatorului.

Vă rugăm să păstrați cu atenție acest manual pentru referințe viitoare!

1. NOȚIUNI PRELIMINARE

Vă rugăm să citiți cu atenție instrucțiunile de utilizare înainte de a pune în funcțiune dezumidificatorul pentru prima dată.

A. DESCRIEREA PRODUSULUI

The Dezumidificatorul este utilizat pentru a îndepărta excesul de umiditate din aer. Reducerea nivelului umidității protejează clădirile și obiectele aflate înăuntrul acestora de efectele adverse ale umidității.

Produsul R290 este ecologic și folosit ca agent frigorific. R290 nu are nicio influență negativă asupra stratului de ozon (ODP) sau efect de seră (GWP) și este disponibil la nivel mondial. Datorită proprietăților sale energetice eficiente, R290 este foarte potrivit ca lichid de răcire în situația dată. Trebuie, însă, luate în considerare precauții speciale datorită nivelului ridicat de inflamabilitate a agentului frigorific.

B. SIMBOLURI FOLOSITE PE UNITATE ȘI ÎN MANUAL



Avertisment!

Acest aparat utilizează agent frigorific.

Dacă agentul frigorific se scurge și vine în contact cu o sursă de flacără sau de încălzire, va crea gaze nocive și există riscul de incendiu.



Citiți cu atenție manualul de instrucțiuni înainte de utilizare.



Informații suplimentare sunt disponibile în **MANUALUL DE UTILIZARE** și **MANUALUL DE SERVICE**.



Înainte de punerea în funcțiune a aparatului, persoanele care desfășoară operațiile de service trebuie să citească cu atenție **MANUALUL DE UTILIZARE** și **MANUALUL DE SERVICE**.

C. ACORDAȚI TOT TIMPUL ATENȚIE INFORMAȚIILOR DE MAI JOS

- Acest aparat este destinat atât utilizatorilor experți sau instruiți din magazine, industria ușoară și ferme cât și utilizatorilor casnici.
- Acest aparat poate fi utilizat de copii cu vârste peste 8 ani și persoane cu capacități

fizice, senzoriale sau mentale reduse sau lipsiți de experiență și cunoștințe, cu condiția ca aceștia să se afle sub supravegherea unor persoane adulte responsabile pentru siguranța lor sau în cazul în care primesc instrucțiuni cu privire la modul în care unitatea ar trebui utilizată.

- Acest dispozitiv nu este o jucărie. Copiii sub trei ani trebuie supravegheați în mod continuu și ținuți la distanță de acesta.
- Curățarea și întreținerea dispozitivului nu trebuie efectuată de copii.
- Unitatea este proiectată numai pentru a fi utilizată cu gaz R290 (propan) ca agent frigorific desemnat.
- Circuitul de răcire este sigilat. Doar persoanele calificate pot desfășura reparații la circuitul de răcire.
- Nu descărcați agentul frigorific în atmosferă.
- R290 (propan) este inflamabil și mai greu decât aerul.
- R290 poate fi identificat la nivelul solului, dar poate fi circulat și de către un ventilator.
- Dacă suspectați prezența gazului propan, nu permiteți persoanelor necalificate să încerce să repare instalația.
- Gazul propan utilizat în instalația acetui aparat nu are miros.
- Lipsa mirosului nu indică lipsa gazelor evacuate.
- Dacă este detectată o scurgere, evacuați imediat toate persoanele din zonă, aerisiți camera și contactați pompierii pentru a-i notifica despre scurgerea de propan.
- Nu permiteți niciunei persoane să se întoarcă în cameră înainte de ajungerea tehnicianului și de recomandarea acestuia cu privire la siguranța reîntoarcerii în zona afectată.
- Nu trebuie utilizate flăcări deschise, țigări sau alte surse posibile de aprindere în interiorul sau în vecinătatea aparatului.
- Piese componente sunt proiectate special pentru utilizarea împreună cu gazul propan. Piese componente se înlocuiesc numai cu piese de schimb identice.

NERESPECTAREA INSTRUCȚIUNILOR PRIVIND SIGURANȚA POT CREȘTE RISCUL DE EXPLOZII, MOARTE, RĂNIRE ȘI DAUNE MATERIALE.

2. INSTRUCȚIUNI PRIVIND SIGURANȚA

Siguranța dvs. este cel mai important lucru pentru noi!



Vă rugăm să citiți acest manual cu atenție înainte de a folosi dezumidificatorul.

A. AVERTISMENTE PRIVIND FUNCȚIONAREA APARATULUI

Avertismente privind riscul de incendiu, electroșocurile, rănirea persoanelor sau daunele materiale:

- În cazul în care cablul de alimentare este deteriorat, acesta trebuie înlocuit de producător, agentul său de service sau de persoane calificate pentru a evita un pericol.
- Nivelul de presiune sonoră ponderat A este sub 36 dB.
- În timpul efectuării operațiilor de întreținere, aparatul trebuie deconectat de la sursa de alimentare.
- Conectați întotdeauna aparatul la o sursă de tensiune, frecvență și putere corespunzătoare celor indicate pe placuța de identificare a produsului.
- Utilizați întotdeauna o priză cu împământare.
- Deconectați cablul de alimentare când curățați aparatul sau când nu îl utilizați.
- Nu folosiți aparatul cu mâinile ude. Nu lăsați apa să se verse pe unitate.
- Nu scufundați aparatul în apă și nu îl expuneți la ploaie, umiditate sau orice altă sursă de lichide.
- Nu lăsați aparatul nesupravegheat atunci când funcționează.
Nu îl înclinați și nu îl întoarceți cu susul în jos.
- Nu deconectați aparatul în timpul funcționării.
- Nu deconectați prin tragerea cablului de alimentare.
- Nu folosiți prelungitor sau adaptor.
- Nu așezați obiecte pe aparat.
- Nu vă urcați și nu stați pe aparat.
- Nu introduceți degete sau alte obiecte în orificiul de evacuare a aerului.
- Nu atingeți orificiul de evacuare a aerului sau fantele de aluminiu ale aparatului.
- Nu folosiți aparatul dacă a căzut, este deteriorat sau prezintă semne de defecțiune.
- Nu curățați aparatul cu substanțe chimice.
- Asigurați-vă că aparatul stă departe de foc, obiecte inflamabile sau explozive.
- Aparatul trebuie instalat în conformitate cu reglementările naționale privind sistemele de cablare.
- Nu folosiți alte mijloace pentru a accelera procesul de decongelare sau curățare, altele decât cele recomandate de producător.
- Aparatul trebuie depozitat într-o încăpere fără dispozitive care funcționează continuu (de exemplu: flacăra deschisă, aparat cu gaz sau un încălzitor electric).
- Aparatul trebuie să fie depozitat astfel încât să se prevină deteriorarea acestuia.
- Nu demontați și nu aruncați în foc aparatul, chiar și după utilizare.

- Fiți conștienți de faptul că agenții de refrigerare nu au miros.
- Țevile aparatului trebuie protejate de deteriorarea fizică și nu trebuie instalate într-un spațiu neventilat, dacă acest spațiu este mai mic de 4m².
- Respectați reglementările naționale privind gazele.
- Păstrați orificiile de ventilație libere de obstacole.
- Aparatul trebuie depozitat într-o zonă bine ventilată, unde dimensiunea camerei să corespundă condițiilor specificate, pentru o funcționare corectă.



Oricare persoane care lucrează cu un circuit de refrigerare trebuie să dețină un certificat valabil emis de către o autoritate de evaluare acreditată în domeniu, care să autorizeze competența lor de a manipula agenții frigorifice în condiții siguranță, în conformitate cu specificațiile recunoscute în industria respectivă.



Reparațiile aduse instalației trebuie efectuate numai conform recomandărilor producătorului. Întreținerea și reparațiile necesită asistența unui personal calificat și se efectuează sub supravegherea unei persoanei competente în utilizarea agenților frigorifici inflamabili. Dacă există aspecte pe care nu le înțelegeți sau în cazul în care aveți nevoie de ajutor, vă rugăm să contactați serviciile dealerului autorizat.

B. PRECAUȚII DE SIGURANȚĂ PRIVIND REPARAȚIILE

Vă rugăm să luați în considerare aceste avertismente înainte de a efectua operații de întreținere la un dezumidificator cu R290.

i. Verificări în vecinătatea aparatului

Înainte de începerea lucrărilor la sistemele care conțin agenți frigorifici inflamabili, sunt necesare verificări de siguranță pentru a se asigura că riscul de aprindere este minimizat. Pentru repararea sistemului frigorific se vor respecta următoarele precauții, înainte de efectuarea lucrărilor la sistem.

ii. Procedura de lucru

Lucrările se desfășoară în conformitate cu o procedură controlată, astfel încât să se reducă la minimum riscul apariției gazului sau vaporilor inflamabili în timpul lucrărilor.

iii. Zona de lucru

Tot personalul de întreținere și alte persoane care lucrează în vecinătate trebuie să fie instruiți cu privire la natura lucrărilor desfășurate. Se va evita munca în spații închise. Zona din jurul spațiului de lucru este delimitată. Asigurați-vă că spațiile din zonă au fost securizate prin controlul materialelor inflamabile.

iv. Verificarea prezenței agentului frigorific

Zona trebuie verificată cu un detector de agenți de refrigerare adecvat înainte și în timpul lucrului, pentru a vă asigura prezența materialelor potențial inflamabile. Asigurați-vă că echipamentul de detectare a scurgerilor utilizat este adecvat pentru identificarea agenților frigorifici inflamabili, nu scoate scânteii și este sigilat corespunzător.

v. Prezența stingătorului de incendii

În cazul în care se efectuează lucrări la cald pe echipamentul de refrigerare sau la orice piesă asociată acestuia, trebuie să fie disponibil echipament adecvat de stingere a incendiilor. Asigurați-vă că aveți în apropiere stingătoare cu pulbere uscată sau CO₂.

vi. Fără surse de aprindere

Nici o persoană care efectuează lucrări în cadrul unui sistem de refrigerare și care implică expunerea la un agent frigorific inflamabil nu trebuie să folosească surse de aprindere astfel încât să evite riscul de incendiu sau explozie. Toate sursele posibile de aprindere, inclusiv fumatul, trebuie să fie păstrate suficient de departe de locul de instalare, reparare, demontare și eliminare, acolo unde poate fi eliberat refrigerant inflamabil. Înainte de efectuarea lucrărilor, zona din jurul instalației trebuie să fie verificată pentru a vă asigura că nu există produse inflamabile sau riscuri de aprindere. Se va folosi placuța „Fumatul interzis”.

vii. Zonă ventilată

Asigurați-vă că zona de lucru este bine ventilată înainte de a începe lucrările la instalație sau de a efectua lucrări la cald. Ventilarea trebuie să disperseze în siguranță orice agent frigorific eliberat și, de preferință, să-l expulzeze extern în atmosferă.

viii. Verificări la instalația cu agent frigorific

În cazul în care componentele electrice sunt schimbate, acestea trebuie să fie adecvate scopului și să urmeze specificațiile corecte. În orice moment trebuie respectate instrucțiunile producătorului privind întreținerea și operațiile de service. În caz de îndoială, consultați departamentul tehnic al producătorului pentru asistență.

Următoarele verificări se aplică instalațiilor care utilizează agenți frigorifici inflamabili:

- Dimensiunea sarcinii este în concordanță cu dimensiunea camerei în care sunt instalate componentele care conțin agentul frigorific;
- Dispozitivele și gurile de ventilație funcționează adecvat și nu sunt obstrucționate;
- În cazul în care se utilizează un circuit de refrigerare indirect, circuitul secundar trebuie verificat în vederea detectării prezenței agentului frigorific;
- Marcajele echipamentului de lucru vor fi vizibile și lizibile. Orice marcaj și semn care sunt ilizibile vor fi corectate;
- Instalația cu agent frigorific sau componentele acesteia sunt așezate astfel încât să nu poate fi expuse la vreo substanță corozivă, cu excepția cazului în care componentele sunt construite din materiale care sunt în mod inerent rezistente împotriva coroziunii sau sunt protejate în mod corespunzător.

ix. Verificări la aparatele electrice

Repararea și întreținerea componentelor electrice trebuie să includă verificări de siguranță inițiale și proceduri de inspecție a componentelor. În cazul în care există o defecțiune care ar putea compromite siguranța, atunci aparatul nu va fi conectat la curent până când nu este rezolvată defecțiunea în mod satisfăcător. Dacă defecțiunea nu poate fi corectată imediat,

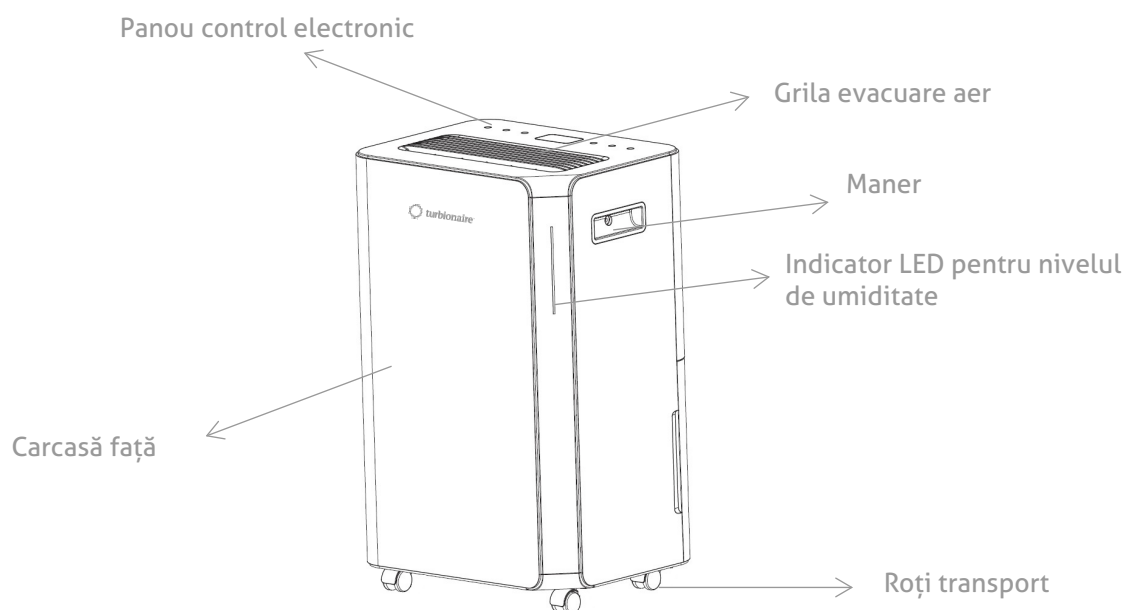
dar este necesară continuarea funcționării, se va utiliza o soluție temporară adecvată. Acest lucru este raportat proprietarului echipamentului, astfel încât toate părțile au cunoștință de această situație.

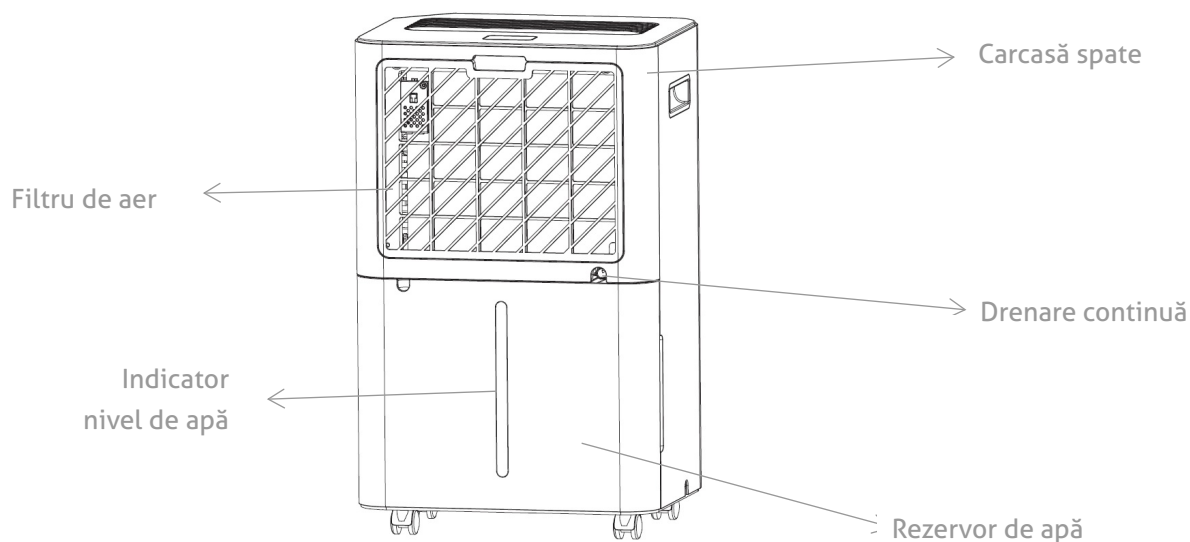
Controalele de siguranță inițiale se efectuează când:

- condensatorii sunt descărcați: acest lucru trebuie făcut în condiții de siguranță pentru a evita apariția scânteilor;
- componentele electrice și cablurile nu se află sub tensiune și în timpul încărcării, recuperării sau purjării sistemului;
- există o continuitate a împământării.

3. PREZENTAREA PRODUSULUI

A. VEDERE FAȚĂ ȘI SPATE





B. CARACTERISTICI

- Îndepărtarea eficientă a umidității
- Monitorizează și afișează umiditatea curentă din aer (indicator Led în 3 culori)
- Modul Automat ajustează automat nivelul umidității
- Timer cu interval de 24 de ore pentru a seta timpul de funcționare
- Îndepărtează eficient umiditatea și praful din aer
- Consum redus de energie, eficient din punct de vedere energetic
- Ventilatorul este silențios, având două trepte de viteză
- Decongelare automată în cazul funcționării la temperatură joasă
- Oprire automată / repornire automată
- Control electronic
- Conexiune WiFi (**pentru modelul REVI 20 WIFI ION**)
- Funcție ionizare aer (**pentru modelul REVI 20 WIFI ION**)
- Funcție de uscare a rufelor (Mod Continu)
- Mod drenaj continuu
- Rezervor de apă de 4.5L

C. SPECIFICATII TEHNICE

MODEL	REVI 20/ REVI 20 WIFI ION
Capacitate dezumidificare	20L/Day (30°C, 80%)
Alimentare	AC220-240V/50Hz
Consum	330W/2.3A

Nivel zgomot	≤41dB(A)
Capacitate rezervor de apă	4.5L
Greutate netă	13.5kg
Presiune maximă de proiectare	Înaltă: 3.2MPa
Dimensiunea minimă a camerei	Joasă: 0.7MPa 4 m ² (suprafața podelei)
Dimensiuni	305x235x495 mm

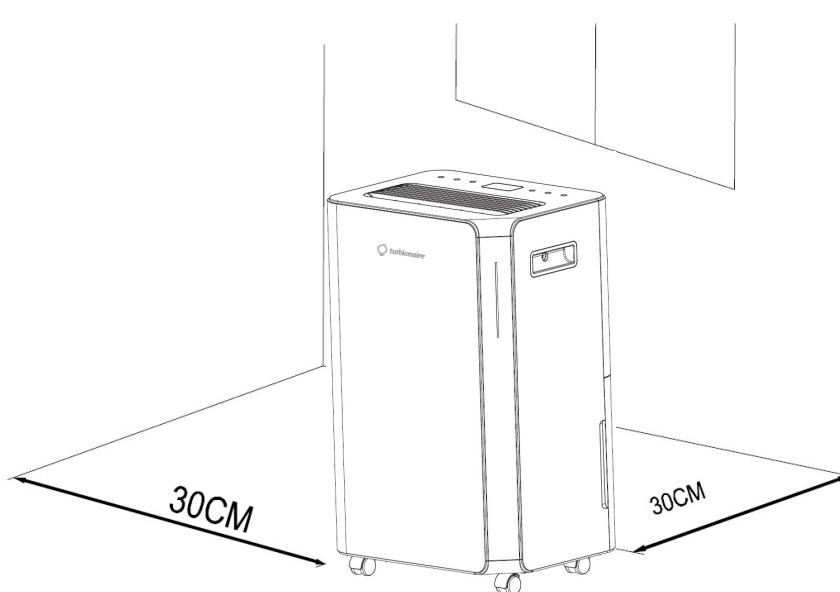
4. INSTALARE

A. AMPLASAREA DEZUMIDIFICATORULUI

Așezați unitatea pe o suprafață stabilă, plată și păstrați cel puțin 30 cm de spațiu liber în jurul acesteia, pentru a permite circulația adecvată a aerului.

Nu instalați niciodată unitatea:

- Lângă surse de căldură precum calorifere, radiatoare, sobe sau alte dispozitive care produc căldură.
- Într-o zonă în care se poate stropi ulei sau apă
- In lumina directă a soarelui
- Într-o zonă cu vibrații sau șocuri mecanice
- Într-o zonă cu praf excesiv
- Într-o zonă neventilată, cum ar fi dulapul sau biblioteca
- Pe o suprafață neuniformă





ATENȚIE

Instalați unitatea în camere care depășesc 4 m².

Nu instalați unitatea într-un loc în care se poate scurge gaz inflamabil.



NOTĂ

Producătorul poate oferi un alt exemplu adecvat sau poate furniza informații suplimentare despre mirosul agentului frigorific.

B. UTILIZAREA ÎN SIGURANȚĂ A APARATULUI

- După ce ați despachetat, verificați dacă există daune sau zgârieturi pe unitate.
- Utilizați această unitate la o temperatură ambientală între 5°C și 38°C.
- Nu folosiți dezumidificatorul în aer liber. Acest dezumidificator este destinat numai pentru utilizarea în spații rezidențiale.
- Nu utilizați dezumidificatorul în apropierea pereților, perdelelor sau a altor obiecte care pot bloca admisia și evacuarea aerului.
- Păstrați orificiile de admisie și evacuare a aerului libere de obstacole.
- Dacă a fost este înclinată la un unghi mai mare de 45°, lăsați unitatea să stea în poziție verticală cel puțin 24 de ore înainte de pornire.
- Păstrați ușile și ferestrele închise pentru o mai bună eficiență a dezumidificatorului.
- Nu folosiți și nu depozitați unitatea la lumina directă a soarelui sau în ploaie.
- Este normal ca orificiul de evacuare a aerului să se încălzească după funcționarea continuă în zilele călduroase.
- Goliți rezervorul de apă înainte de a muta dezumidificatorul.
- Asigurați-vă că rezervorul de apă este montat corect, altfel unitatea nu funcționează corespunzător.
- Dezumidificatorul pornește în modul selectat la ultima utilizare.
- Dezumidificatorul începe să dezumidifice aerul din cameră dacă umiditatea este cu 3% mai mare decât valoarea selectată.
- Compresorul este dotat cu un sistem de protecție care întârzie pornirea cu 3 minute. Astfel, va trebui să așteptați 3 minute pentru ca dezumidificatorul să reia procesul de dezumidificare.

5. FUNCȚIONARE

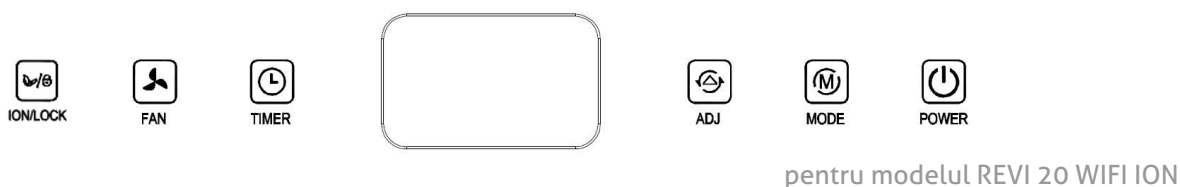
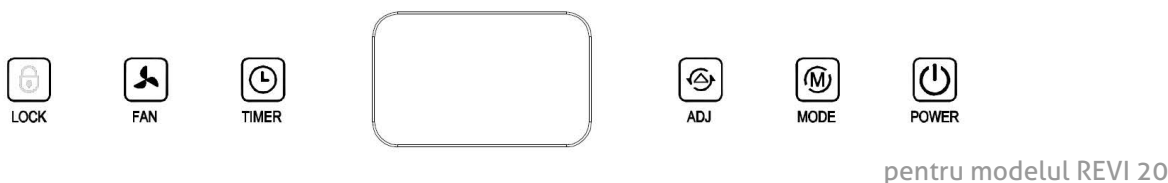
Nivel umiditate ambientală $\leq 45\%$

- indicatorul LED pentru nivelul de umiditate va afișa culoarea ALBASTRĂ $45\% < \text{Nivel de umiditate ambientală} < 65\%$

- indicatorul LED pentru nivelul de umiditate va afișa culoarea VERDE Nivelul de umiditate ambientală $\geq 65\%$

- indicatorul LED pentru nivelul de umiditate va afișa culoarea ROȘIE Când afișajul digital arată un cod de eroare, indicatorul LED al nivelului de umiditate va afișa culoarea ROȘIE

Panoul de control



Buton POWER - Atingeți acest buton pentru a porni sau opri unitatea.

Buton MOD - Atingeți acest buton pentru a alege modul Auto, Sleep sau Continuous Dry.

Buton HUM - Atingeți acest buton pentru a regla nivelul de umiditate și pentru a alege ora cronometrului.

Buton TIMER - Atingeți acest buton pentru a seta o oră pentru pornirea sau oprirea automată a unității.

Pentru **activare WiFi** atingeți butonul **TIMER** pentru cel puțin 3 secunde. Indicatorul WiFi de pe display va începe să clipească (**pentru modelul REVI 20 WiFi ION**)



NOTA: Pentru utilizarea funcției WiFi consultați instrucțiunile de la finalul acestui manual de utilizare

Buton FAN - Atingeți acest buton pentru a selecta viteza ventilatorului între mare și scăzută. **Buton ION/LOCK (pentru modelul Revi 20 WiFi ION)** - Apăsăți butonul pentru a porni funcția de purificare a aerului. Atingeți lung acest buton timp de 5 secunde pentru a activa sau dezactiva funcția de blocare a panoului de control pentru copii.

Buton LOCK (pentru modelul REVI 20) - Țineți apăsat acest buton pentru a activa sau dezactiva funcția de blocare pentru copii.

Afișaj digital Led - Afișează valoarea umidității, setarea temporizatorului, temperatura și alte informații conform imaginilor de mai jos, în funcție de model.

Display Led














pentru modelul REVI 20

- Indicator rezervor de apă plin - golire rezervor
- Indicator de blocare panou control pentru copii.
- Indicator cronometru.
- A Mod automat/Mod dezumidificare continuă (uscarea haine) /Indicator mod nocturn (sleep)
- CNT Viteza ventilator
- Indicator Pornire/ Opre



pentru modelul REVI 20 WIFFI ION

-  Indicator rezervor de apă plin - golire rezervor
-  Indicator de blocare panou control pentru copii
-  Indicator funcție Ionizare aer
-  Indicator Timer
-    Mod Auto / Mod dezumidificare continuă (Uscare haine)/ Indicator Mod nocturn Sleep
-  Indicator Pornire/ Oprise
-   Indicator viteza ventilator
-  Indicator WiFi



POWER

BUTON PORNIRE (POWER)

În modul standby apăsați acest buton pentru a porni unitatea, indicatorul corespunzător se va aprinde, ventilatorul funcționează la o viteză ridicată implicită, iar nivelul umidității setate este de 50%. În acest mod de funcționare, apăsați același buton pentru a opri unitatea, indicatorul corespunzător se va stinge, compresorul se oprește imediat, apoi ventilatorul se va opri cu o întârziere de 30 de secunde.



MODE

MODURI DE FUNCȚIONARE (MODE)

Mod automat / Mod de funcționare dezumidificare continuă / Mod sleep apăsați dată pentru a schimba de la un mod la altul, iar indicatorul corespunzător se va aprinde.

- **Mod automat:** când umiditatea încăperii \geq umiditatea setată - 3%, ventilatorul pornește și compresorul începe să funcționeze după 3 secunde. Când umiditatea încăperii \leq umiditatea setată - 3%, compresorul se oprește, la fel și ventilatorul după 30 de secunde de întârziere. Atât viteza ventilatorului, cât și umiditatea pot fi reglate în modul Auto (automat).



ADJ

Atingeți acest buton pentru a regla nivelul de umiditate de la 30% la 80% în modul automat.


- **Mod de funcționare dezumidificare continuă:** Unitatea continuă să funcționeze indiferent de nivelul de umiditate, viteza ventilatorului poate fi ajustată, dar umiditatea nu poate fi reglată.

Mod Sleep (Repaus): indicatorul corespunzător se va aprinde, iar funcția repaus se va activa. Dacă panoul de control nu este acționat pentru o perioadă de 10 secunde, indicatorii toate indicatoarele își vor diminua intensitatea luminoasă iar viteza ventilatorului va trece în treapta inferioară. Apăsați orice buton pentru a reaprinde indicatorul LED al Modulului Sleep (Repaus). Apăsați din nou butonul MODE pentru a ieși din acest mod SLEEP (Repaus). Viteza ventilatorului și umiditatea nu pot fi reglate în Modul SLEEP (Repaus).



TIMER

TIMER

Atingeți butonul temporizatorului pentru a seta funcția Timer într-un interval 0-24 de ore. Afisajul digital "88" va clipi și va afișa intervalul setat, atingeți butonul  valoarea crește cu 1 oră valoarea afișată „88”.

În mod de funcționare, utilizați funcția de cronometru pentru a opri unitatea în mod regulat. Setati timpul la „00” pentru a anula funcția Timer.



FAN

VITEZA VENTILATORULUI (SPEED)

Atingeți butonul o dată pentru a comuta de la viteza ridicată la cea redusă, iar indicatorul LED corespunzător se va aprinde. În modul dezumidificare continuă, modul de repaus și modul dezumidificare activat, viteza ventilatorului nu poate fi modificată.



ION/LOCK

IONIZARE/ BLOCARE PANOU (pentru modelul REVI 20 WiFi ION)

Atingeti acest buton pentru a activa functia de ionizare aer.

Atingeti lung butonul de blocare a panoului, pentru copii timp de 3 secunde pentru a activa sau dezactiva funcția de blocare a panoului.



LOCK

BLOCARE UTILIZARE COPII (LOCK) (pentru modelul REVI 20)

Atingeti acest buton timp de 3 secunde pentru a activa / dezactiva funcția de

protecție a panoului de control de potentialele actiuni accidentale sau ale copiilor.



ALARMĂ REZERVOR DE APĂ PLIN

• Indicator rezervor de apă

Când rezervorul dispozitivului se umple alarma se activează timp de 5 secunde. Indicatorul LED de avertizare umplere al rezervorului de apă, devine roșu, iar aparatul scoate un semnal acustic de 5 ori. Acest indicator se află poziționat pe panoul de control, deasupra LED-ului de notificare PORNIT (POWER) al dispozitivului.

• Oprirea alarmei

Când alarma este pornită, apăsați orice buton pentru a o opri. Compresorul și ventilatorul se opresc, la fel și celelalte funcții active, până la golirea rezervorului de apă și reinstalarea acestuia în poziția corectă.

A. Drenare

Există două moduri de îndepărtare a apei colectate produsă de unitate.

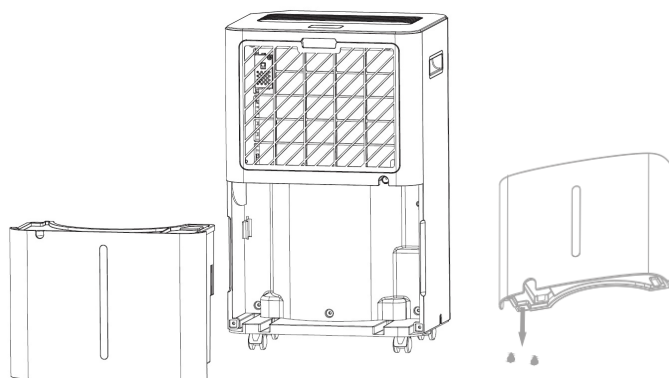
a) **Drenare manuală:** Rezervorul de apă, scos și golit manual.

b) **Drenarea continuă:** Atașarea la dispozitiv a unui furtun de scurgere gravitaționala a apei rezultată din condensare.

B. Golirea rezervorului

Dispozitivul se va opri imediat ce rezervorul se va umple cu apă. Dezumidificatorul va reporni doar după ce goliți rezervorul de apă și îl reinstalați corect. Când rezervorul este plin, dispozitivul va emite un sunet acustic, iar indicatorul LED „Water Full” (Rezervor Plin) se va aprinde.

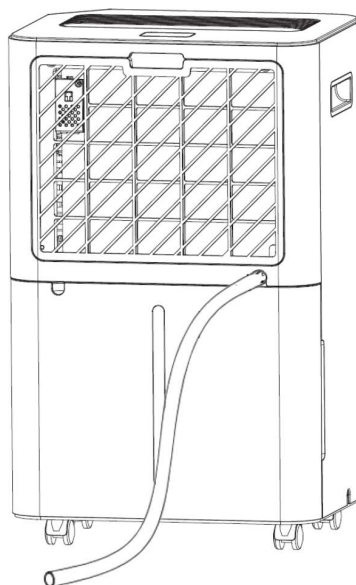
- Apăsați butonul POWER pentru a opri unitatea.
- Trageți de rezervorul de apă și acesta va ieși din corpul dezumidificatorului.
- Goliți apa din rezervor.
- Curățați interiorul rezervorului, dacă este nevoie, precum și exteriorul.
- Introduceți rezervorul gol înapoi în unitate.
- Apăsați butonul POWER pentru a relua funcționarea dispozitivului.
- Dacă indicatorul corespunzător rezervorului plin rămâne încă aprins, verificați dacă plutitorul rezervorului se află în poziția corectă și nu este blocat în altă poziție.



c) Drenare continuă

Pentru funcționarea continuă sau dezumidificare nesupravegheată, vă rugăm să conectați furtunul de scurgere, la unitate. Apa condensată se va scurge liber, gravitațional, într-o găleată sau într-o gură de scurgere.

- Așezați unitatea pe o suprafață orizontală și stabilă.
- Opriți unitatea înainte de a drena apa.



- Conectați corect furtunul de scurgere și asigurați-vă că nu este obstrucționat.
- Introduceți capătul de evacuare al furtunului într-o gură de scurgere sau găleată și asigurați-vă că apa poate curge liber din unitate.
- Nu scufundați capătul furtunului în apă, astfel poate provoca „blocarea aerului” în furtun.
- **Pentru a evita scurgerile de apă:**
- Deoarece presiunea negativă a vasului de scurgere a condensului este mare,
- înclinați furtunul de drenare, în jos, spre podea. Este necesar ca unghiul de înclinare să depășească 20°.
- Îndreptați furtunul pentru a evita indoirea acestuia.

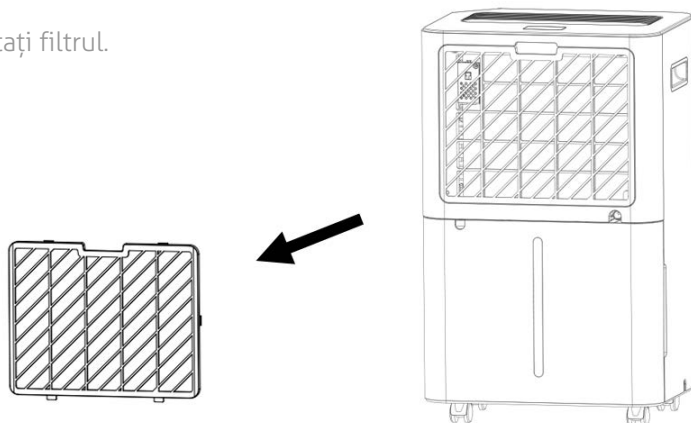
6. ÎNTREȚINERE

CURĂȚAREA FILTRULUI DE AER

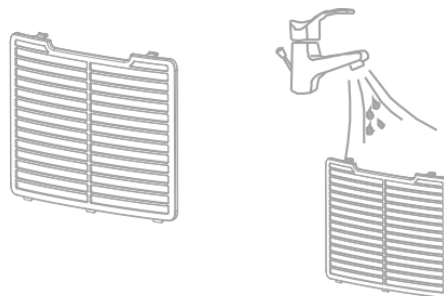
Curățați filtrul cel puțin o dată la două săptămâni sau ori de câte ori este nevoie. Impuritățile acumulate într-un filtru necurățat pot fi absorbite de ventilator fixându-se pe vaporizatorul, condensatorul și alte componente din interiorul unității, ceea ce duce la scăderea randamentului și apariția diverselor defecțiuni care nu fac, în acest caz, obiectul garanției.

Dacă se constată depuneri de impurități în interiorul unității, contactați cel mai apropiat service autorizat în vederea curățării profesionale a acesteia. Nu efectuați operațiuni de curățare internă (altele decât curățarea și spălarea filtrului lavabil) decât cu personal specializat.

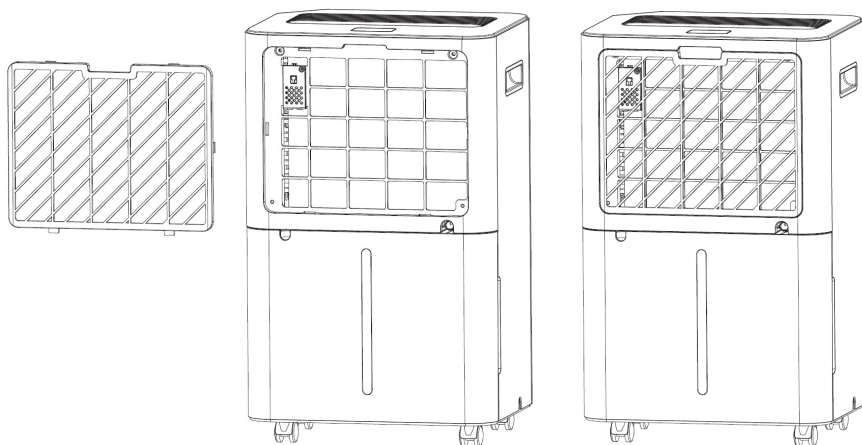
a) Scoateți grila filtrului și îndepărtați filtrul.



b) Folosiți un aspirator pentru a îndepărta ușor praful de pe suprafața filtrului. Dacă filtrul este foarte murdar, spălați-l cu apă și cu detergent și uscați-l bine după aceea.



c) Reașezați filtrul la locul său în spatele dispozitivului.



7. DEPANARE

a) TEMPERATURA DE FUNCȚIONARE

$5^{\circ}\text{C} \leq \text{Temp. ambientală} \leq 38^{\circ}\text{C}$

Când temperatura ambientală este mai mică sau mai mare decât temperatura de funcționare, dezumidificatorul se oprește.

Când $5^{\circ}\text{C} \leq \text{Temp. Ambientă} \leq 16^{\circ}\text{C}$, compresorul se decongelează automat la anumite intervale; în timpul decongelării, compresorul se oprește și ventilatorul continuă să funcționeze.

b) ÎNAINTE DE A SOLICITA SERVICE

Înainte de a contacta centrul de service, consultați lista de posibile probleme care pot apărea în timpul funcționării unității și care nu sunt rezultatul unui defect de manopera sau materiale folosite.

Problemă	Cauze posibile	Soluție
Aparatul nu funcționează	Nu există alimentare.	Conectați aparatul la o priză de curent și porniți-l.
	Indicatorul "Water Full" (Rezervor Plin) este aprins.	Goliți rezervorul de apă și reasezați-l la locul potrivit.
	Temperatura camerei $<5^{\circ}\text{C}$ sau $>35^{\circ}\text{C}$	Sistem de protecție instalat pentru a proteja unitatea. Unitatea nu poate funcționa la o astfel de temperatură.
Funcționare defectuoasă	Filtrul de aer este blocat?	Curățați filtrul de aer după cum este explicat în prezentul manual.
	Este blocat orificiul de admisie sau de evacuare?	Îndepărtați orice lucru obstrucționează orificiul de admisie sau evacuare.
Orificiul de admisie a aerului nu permite trecerea aerului	Filtrul este blocat?	Spălați filtrul.
Unitatea scoate zgomote în timpul funcționării	Unitatea este poziționată pe o suprafață orizontală și plată?	Așezați unitatea corespunzător.
	Filtrul este blocat?	Spălați filtrul.

E1/E2	Probleme la senzorul de umiditate	Schimbați senzorul
LO	Nivelul umidității din cameră a scăzut sub 20%	Dezumidificatorul se oprește automat pentru a se autoproteja.
HI	Nivelul umidității din cameră a crescut peste 90%	
CL	Protecție la temperatură scăzută, când temp. camerei este <5°C	
CH	Protecție la temperatură ridicată, când temp. camerei este >35°C	

8. ELIMINARE

8.1 DEPOZITAREA UNITATII

Depozitare pe termen lung - Dacă nu veți folosi unitatea pentru o perioadă lungă de timp (mai mult de câteva săptămâni), vă recomandăm să o curățați și să o uscați complet.

Vă rugăm să depozitați unitatea urmând acești pași:

- a) Apăsăți butonul de alimentare pentru a opri unitatea și deconectați-o de la priza de alimentare cu curent.
- b) Scurgeți apa rămasă în unitate.
- c) Curățați filtrul și lăsați-l să se usuce complet într-o zonă ferită de lumină.
- d) Înfășurați cablul de alimentare.
- e) Reinstalați filtrul în poziția corectă.
- f) Unitatea trebuie păstrată în poziție verticală atunci când este depozitată.
- g) Păstrați dezumidificatorul într-o cameră ventilată, uscată, fără combustibili.

ATENȚIE: Evaporatorul din interiorul dezumidificatorului trebuie uscat înainte de ambalarea acestuia pentru a evita deteriorarea componentelor și apariția mușgaiului. Deconectați unitatea și așezați-o într-un spațiu deschis uscat timp de zile pentru a se usca bine. Un alt mod de a usca unitatea este de a seta nivelul umidității la 5% peste umiditatea ambientală, pentru a forța ventilatorul să usuce evaporatorul timp de câteva ore.

8.2 ELIMINARE



AVERTIZARE!!! Eliberarea agentului frigorific în atmosferă este strict interzisă!

Nu aruncați aparatele electrice ca deșeuri municipale nesortate, ci folosiți spațiile de colectare separate. Contactați administrația locală pentru informații despre sistemele de colectare disponibile în zonă. Dacă aparatele electrice sunt aruncate împreună cu gunoiul menajer, substanțele periculoase se pot infiltra în apele subterane și pot ajunge în lanțul alimentar, dăunând sănătății și bunăstării persoanelor.

SMART LIFE App- Manual de utilizare pentru REVI 20 WiFi ION

Aplicația „Smart Life” este disponibilă pentru Android și iOS.

Scanați cu smartphone-ul codul QR corespunzător pentru a accesa direct descărcarea.

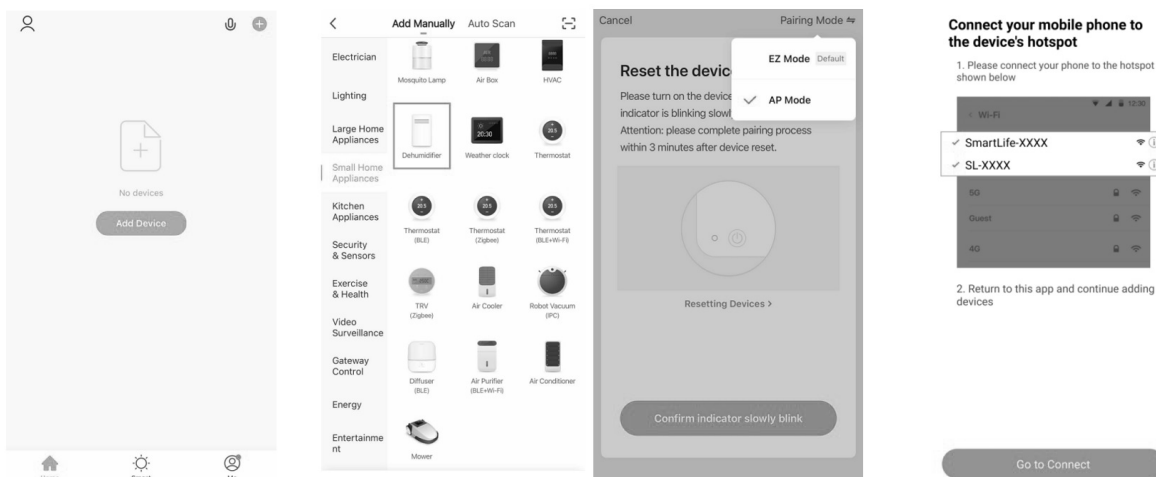


Cum se folosește aplicația

Acest aparat vă permite să utilizați aparatul prin rețeaua dvs. de acasă WIFI. O condiție prealabilă este o conexiune WIFI permanentă la router și aplicația gratuită „Smart Life”. Vă recomandăm să deconectați aparatul de la sursa de alimentare atunci când sunteți departe de casă pentru a preveni pornirea neintenționată.

Punerea în funcțiune prin intermediul aplicației

1. Instalați aplicația „Smart Life”. Creați un cont de utilizator.
2. Activați funcția WIFI în setările aparatului dvs- atingeți pentru cel puțin 5 secunde butonul TIMER
3. Așezați aparatul la o distanță de aproximativ 5 metri față de router.
4. Atâta timp cât este pornit, indicatorul WIFI de pe display clipește lent. După 3 minute, starea va fi anulată dacă nu există configurație de rețea și indicatorul WIFI este stins. Dacă trebuie să reconectați WIFI, atingeți lung butonul „TIMER” timp de 5 secunde pentru a porni configurația rețelei, indicatorul WIFI va clipi încet.
5. Când indicatorul WIFI clipește încet, selectați „Adăugare dispozitiv” - „Electrocasnice mici” - „Dezumidificator” și urmați instrucțiunile de pe afișaj. Selectați „AP Mode” în partea dreaptă sus a aplicației, alegeți „Confirmă indicatorul clipește încet” și apăsați „Go to Connect” pentru a conecta WIFI numit „SmartLife-XXXX”.
6. După ce aparatul a fost conectat cu succes, lampa WIFI se aprinde. Acum puteți utiliza aparatul folosind aplicația.
7. Dacă indicatorul WIFI clipește rapid, se poate conecta rapid, direct.
8. Atinge butonul Timer timp de aproximativ 5 secunde, dispozitivul se va conecta, indicatorul WIFI se aprinde pe display. Atinge din nou pentru cel puțin 5 secunde butonul TIMER, dispozitivul se va deconecta, iar indicatorul WiFi se va stinge.



DEPANARE

Conexiunea la rețea a eșuat	Soluție
Expirarea conexiunii la rețea	1. Verificați dacă selectați WIFI numit „SmartLife-XXXX”. 2. Opritiți aparatul și deconectați codul de alimentare și pluginul după 10 secunde, introduceți aplicația pentru a vă conecta din nou.
Indicatorul WIFI este dezactivat	Apăsați lung butonul „Timer” sau Opritiți aparatul și deconectați codul de alimentare și pluginul după 10 secunde.
Hotspot-ul WIFI dispare și lumina WIFI clipește	Opritiți aparatul și deconectați codul de alimentare și pluginul după 10 secunde, introduceți aplicația pentru a vă conecta din nou.

DE: INHALT

1.	VORBEMERKUNGEN	39
2.	SICHERHEITSANWEISUNGEN	41
3.	PRODUKTVORSTELLUNG	44
4.	EINRICHTUNG	46
5.	BETRIEB	47
6.	INSTANDHALTUNG	52
7.	FEHLERBEHEBUNG	53
8.	ENTSORGUNG	54
9.	SMART LIFE APP - Benutzerhandbuch	55

Vielen Dank, dass Sie sich für unseren Luftentfeuchter entschieden haben.
Lesen Sie dieses Handbuch sorgfältig durch, bevor Sie den Luftentfeuchter
Bitte bewahren Sie dieses Handbuch zum späteren Nachschlagen sorgfältig auf!

1. VORBEMERKUNGEN

Bitte lesen Sie die Bedienungsanleitung sorgfältig durch, bevor Sie den Luftentfeuchter zum ersten Mal in Betrieb nehmen.

A. PRODUKTBESCHREIBUNG

Mit dem Luftentfeuchter wird der Luft überschüssige Feuchtigkeit entzogen. Durch Verringern der Luftfeuchtigkeit werden Gebäude und sich darin befindliche Gegenstände vor den nachteiligen Auswirkungen der Luftfeuchtigkeit geschützt.

Das Produkt R290 ist umweltfreundlich und wird als Kältemittel eingesetzt. R290 hat keinen negativen Einfluss auf die Ozonschicht (ODP) oder den Treibhauseffekt (GWP) und ist weltweit erhältlich. Aufgrund seiner energieeffizienten Eigenschaften eignet sich R290 in dieser Situation sehr gut als Kühlmittel. Aufgrund der hohen Entflammbarkeit des Kältemittels sind jedoch besondere Vorkehrungen zu treffen.

B. SYMBOLE, DIE AM GERÄT UND IM HANDBUCH VERWENDET WERDEN



Warnung!

Dieses Gerät verwendet Kältemittel.
Wenn das Kältemittel austritt und mit einer Flamme oder einer Wärmequelle in Berührung kommt, entstehen schädliche Gase und es besteht Brandgefahr.



Lesen Sie die Bedienungsanleitung vor Gebrauch sorgfältig durch.



Weitere Informationen finden Sie in der **BEDIENUNGSANLEITUNG** und der **WARTUNGSANLEITUNG**.



Vor der Inbetriebnahme des Geräts sollten die Personen, die die Wartungsarbeiten durchführen, die **BEDIENUNGSANLEITUNG** und die **WARTUNGSANLEITUNG** sorgfältig lesen.

C. ACHTEN SIE STETS AUF DIE FOLGENDEN INFORMATIONEN

- Dieses Gerät ist sowohl für erfahrene als auch für geschulte Benutzer in Geschäften, in der Leichtindustrie und in landwirtschaftlichen Betrieben sowie für Haushaltsbenutzer bestimmt.

- Dieses Gerät kann von Kindern über 8 Jahren und Personen mit eingeschränkten körperlichen, sensorischen oder geistigen Fähigkeiten oder mangelnder Erfahrung und mangelndem Wissen verwendet werdenvorausgesetzt, sie werden von erwachsenen Personen beaufsichtigt, die für ihre Sicherheit verantwortlich sind, oder wenn sie Anleitungen darüber bekommen wie die Einheit verwendet werden sollte.
- Dieses Gerät ist kein Spielzeug. Kinder unter drei Jahren müssen ständig überwacht und von dem Gerät ferngehalten werden.
- Das Gerät ist ausschließlich für die Verwendung von R290 (Propangas) als Kältemittel vorgesehen.
- Der Kühlkreislauf ist abgedichtet. Reparaturen am Kühlkreislauf dürfen nur von qualifizierten Personen durchgeführt werden.
- Kältemittel nicht in die Atmosphäre ablassen.
- R290 (Propan) ist brennbar und schwerer als Luft.
- R290 kann am Boden identifiziert werden, kann aber auch von einem Lüfter umgewälzt werden.
- Lassen Sie bei Verdacht auf Anwesenheit von Propangas nicht zu, dass Unqualifizierte versuchen, die Anlage zu reparieren.
- Das bei der Einrichtung dieses Geräts verwendete Propangas ist geruchsneutral.
- Das Fehlen von Gerüchen deutet nicht auf das Fehlen von Abgasen hin.
- Wenn eine Undichtigkeit festgestellt wird, bitte sofort alle Personen in der Umgebung evakuieren, den Raum lüften und sich an die Feuerwehr wenden, um sie über eine Propanleckage zu informieren.
- Lassen Sie keine Person in den Raum zurückkehren, bevor der Techniker eintrifft, und bevor dieser seine Empfehlung über die Sicherheit der Rückkehr in den betroffenen Bereich gibt.
- Offenes Feuer, Zigaretten oder andere mögliche Zündquellen dürfen nicht im oder in der Nähe des Geräts verwendet werden.
- Die Bauteile sind speziell für den Einsatz mit Propangas ausgelegt. Die Bauteile werden nur durch identische Ersatzteile ersetzt.

DIE NICHTEINHALTUNG DER SICHERHEITSANLEITUNGEN KANN DIE GEFAHR VON EXPLOSIONEN, TOD KÖRPERVERLETZUNG UND SACHSCHÄDEN ERHÖHEN.

2. SICHERHEITSANWEISUNGEN

Ihre Sicherheit ist das Wichtigste für uns!




Bitte lesen Sie dieses Handbuch sorgfältig durch, bevor Sie den Luftentfeuchter verwenden.


A. WARNHINWEISE FÜR DEN BETRIEB DES GERÄTS

WARNUNGEN: bezüglich der Gefahr von Bränden, Stromschlag, Körperverletzung oder Sachschaden:

- Wenn das Netzkabel beschädigt ist, muss es vom Hersteller, seinem Kundendienst oder qualifiziertem Personal ausgetauscht werden, um Gefahren zu vermeiden.
- Der gewichtete Schalldruckpegel A liegt unter 36 dB.
- Während der Wartung muss das Gerät vom Stromnetz getrennt sein.
- Schließen Sie das Gerät immer an eine Spannungsquelle an, die den Angaben auf dem Typenschild entspricht.
- Verwenden Sie immer eine geerdete Steckdose.
- Ziehen Sie das Netzkabel ab, wenn Sie das Gerät reinigen oder es nicht benutzen.
- Benutzen Sie die Maschine nicht mit nassen Händen. Lassen Sie kein Wasser in das Gerät fließen.
- Tauchen Sie das Gerät nicht in Wasser und setzen Sie es weder Regen noch Feuchtigkeit oder anderen Flüssigkeiten aus.
- Lassen Sie das Gerät während des Betriebs nicht unbeaufsichtigt. Kippen Sie es nicht und drehen Sie es nicht um.
- Trennen Sie das Gerät nicht während des Betriebs vom Stromnetz.
- Trennen Sie das Gerät nicht durch Ziehen am Netzkabel.
- Verwenden Sie kein Verlängerungskabel oder einen Adapter.
- Stellen Sie keine Gegenstände auf das Gerät.
- Klettern Sie nicht auf das Gerät und stellen Sie sich nicht darauf.
- Stecken Sie keine Finger oder andere Gegenstände in den Luftauslass.
- Berühren Sie nicht den Luftauslass oder die Aluminiumschlitze im Gerät.
- Verwenden Sie das Gerät nicht, wenn es heruntergefallen oder beschädigt ist oder Anzeichen von Fehlfunktionen aufweist.
- Reinigen Sie das Gerät nicht mit Chemikalien.
- Stellen Sie sicher, dass das Gerät nicht in der Nähe von Feuer, brennbaren oder explosionsgefährdeten Gegenständen steht.
- Das Gerät muss gemäß den nationalen Vorschriften für Verkabelungssysteme installiert werden.
- Verwenden Sie keine anderen als die vom Hersteller empfohlenen Mittel, um den Auftau- oder den Reinigungsprozess zu beschleunigen.
- Das Gerät muss in einem Raum ohne Dauerbetrieb gelagert werden (z. B. offenes Feuer, Gasgerät oder Elektroheizung).
- Das Gerät muss so gelagert werden, dass es nicht beschädigt wird.

- Zerlegen oder entsorgen Sie das Gerät nicht in einem Feuer, auch nicht nach dem Gebrauch.
- Beachten Sie, dass Kältemittel nicht riechen.
- Die Leitungen des Geräts müssen vor physischen Beschädigungen geschützt werden und dürfen nicht in einem unbelüfteten Raum installiert werden, wenn dieser Raum kleiner als 4 m² ist.
- Bitte die nationalen Gasvorschriften einhalten.
- Halten Sie die Lüftungsöffnungen frei von Hindernissen.
- Das Gerät sollte für einen ordnungsgemäßen Betrieb an einem gut belüfteten Ort gelagert werden, an dem die Raumgröße den angegebenen Bedingungen entspricht.

 Jeder, der an einem Kältekreislauf arbeitet, muss über ein gültiges Zertifikat verfügen, das von einer akkreditierten Bewertungsbehörde ausgestellt wurde und dessen Befugnis zum sicheren Umgang mit Kältemitteln gemäß den in dieser Branche anerkannten Spezifikationen bestätigt ist.

 Reparaturen an der Installation dürfen nur gemäß den Empfehlungen des Herstellers durchgeführt werden. Wartung und Reparaturen erfordern die Unterstützung von qualifiziertem Personal und werden unter Aufsicht einer Person durchgeführt, die für die Verwendung brennbarer Kältemittel zuständig ist.

Treten Probleme auf, die Sie nicht verstehen oder wenn Sie Hilfe benötigen, wenden Sie sich bitte an den autorisierten Händler.

B. SICHERHEITSHINWEISE BEI REPARATUREN

Bitte beachten Sie diese Warnungen, bevor Sie Wartungsarbeiten an einem R290-Luftentfeuchter durchführen.

i. PRÜFUNGEN IN DER NACHBARSCHAFT DES GERÄTS

Vor Beginn der Arbeiten an Anlagen mit brennbaren Kältemitteln sind Sicherheitskontrollen erforderlich, um das Zündrisiko zu minimieren. Bei der Reparatur der Kälteanlage sind die folgenden Vorsichtsmaßnahmen zu beachten, bevor die Arbeiten an der Anlage ausgeführt werden.

ii. ARBEITSVERFAHREN

Die Arbeiten werden nach einem kontrollierten Verfahren durchgeführt, um das Risiko des Auftretens von brennbaren Gasen oder Dämpfen während der Arbeiten zu minimieren.

iii. ARBEITSBEREICH

Das gesamte Wartungspersonal und andere in der Nachbarschaft tätige Personen sollten in der Art der ausgeführten Arbeiten geschult sein. Vermeiden Sie Arbeiten auf engstem Raum. Das Areal um den Arbeitsbereich ist begrenzt. Stellen Sie sicher, dass die Räume in der Umgebung durch die Prüfung entflammbarer Materialien gesichert wurden.

iv. ÜBERPRÜFUNG DER ANWESENHEIT DES KÄLTEMITTELS

Der Bereich muss mit einem geeigneten Kältemitteldetektor überprüft werden, um zu prüfen, ob möglicherweise entzündbare Materialien vorhanden sind. Vergewissern Sie sich, dass die verwendeten Leckanzeigergeräte zur Identifizierung von brennbaren Kältemitteln geeignet sind, dass sie keine Funken von sich geben und ordnungsgemäß versiegelt sind.

v. VORSTELLUNG DES FEUERLÖSCHERS

Wenn an der Kälteanlage oder einem damit verbundenen Teil Heißenarbeiten durchgeführt werden, muss eine geeignete Feuerlöschrüstung vorhanden sein. Stellen Sie sicher, dass Sie ein Löscher mit trockenem Pulver oder einen CO₂-Löscher in der Nähe haben.

vi. OHNE ZÜNDQUELLEN

Keine Person, die Arbeiten an einer Kälteanlage ausführt und die einem brennbaren Kältemittel ausgesetzt ist, darf Zündquellen verwenden, um die Gefahr von Bränden oder Explosionen zu vermeiden. Alle möglichen Zündquellen, einschließlich des Rauchens, sollten weit genug vom Ort der Installation, Reparatur, Demontage und Entsorgung entfernt sein, an dem brennbares Kältemittel freigesetzt werden kann. Vor Durchführung der Arbeiten ist der Bereich um die Anlage herum auf brennbare Produkte und Entzündungsgefahren zu überprüfen. Das "Rauchen verboten" Schild muss angebracht sein.

vii. BELÜFTETER BEREICH

Stellen Sie sicher, dass der Arbeitsbereich gut belüftet ist, bevor Sie mit Arbeiten an der Anlage oder Heißenarbeiten beginnen. Durch die Belüftung sollte das freigesetzte Kältemittel sicher verteilt und vorzugsweise nach außen, in die Atmosphäre ausgestoßen werden.

viii. PRÜFUNGEN AN DER KÄLTEMITTELANLAGE

Wenn die elektrischen Komponenten geändert werden, müssen sie dem Verwendungszweck entsprechen und die korrekten Spezifikationen befolgen. Die Anweisungen des Herstellers in Bezug auf Wartungs- und Servicearbeiten müssen jederzeit befolgt werden. Wenden Sie sich im Zweifelsfall an die technische Abteilung des Herstellers.

Die folgenden Prüfungen gelten für Installationen mit brennbaren Kältemitteln:

- Die Größe der Ladung richtet sich nach der Größe des Raums, in dem die Bauteile installiert sind, die das Kältemittel enthalten.
- Die Belüftungsgeräte und -öffnungen funktionieren ordnungsgemäß und sind nicht verstopft.
- Bei Verwendung eines indirekten Kältekreislaufs muss der Sekundärkreislauf auf das Vorhandensein des Kältemittels überprüft werden.
- Die Markierungen der Arbeitsausrüstung sind sichtbar und lesbar. Nicht lesbare Markierungen und Zeichen werden korrigiert;

- Die Kältemittelanlage oder ihre Bauteile sind so angeordnet, dass sie keinem ätzenden Stoff ausgesetzt werden können, es sei denn, die Bauteile bestehen aus Materialien, die ihrer Art nach korrosionsbeständig oder ausreichend geschützt sind.

ix. PRÜFUNGEN DER ELEKTRISCHEN GERÄTE

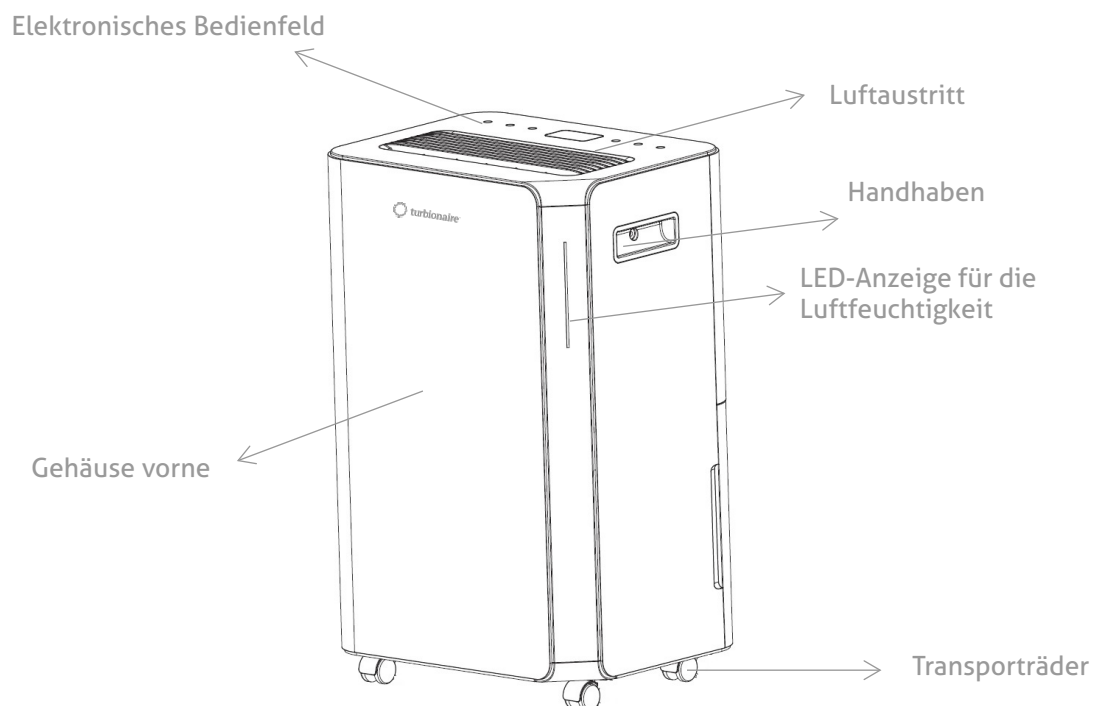
Die Reparatur und Wartung elektrischer Bauteile muss erste Sicherheitsprüfungen und Verfahren zur Überprüfung der Bauteile umfassen. Wenn ein Fehler vorliegt, der die Sicherheit beeinträchtigen könnte, wird das Gerät erst dann wieder an die Stromversorgung angeschlossen, wenn der Fehler zufriedenstellend behoben wurde. Wenn der Fehler nicht sofort behoben werden kann, der Betrieb jedoch fortgesetzt werden muss, wird eine geeignete vorübergehende Lösung verwendet. Dies wird dem Eigentümer des Geräts gemeldet, damit alle Beteiligten über diese Situation informiert sind.

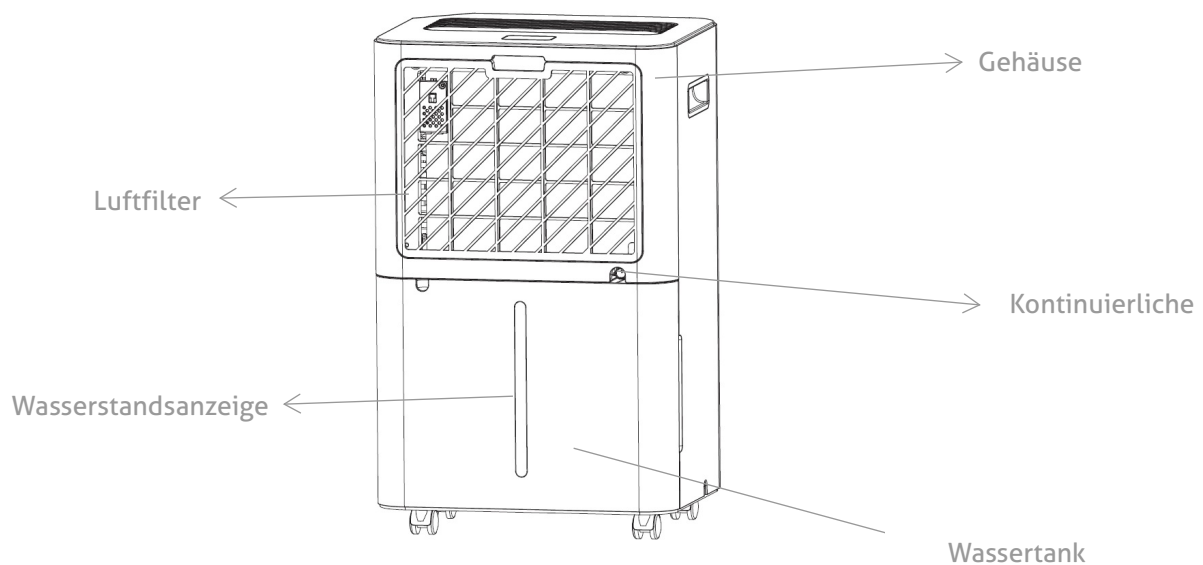
Erste Sicherheitsüberprüfungen werden durchgeführt, wenn:

- Kondensatoren entladen werden: Dies muss unter Sicherheitsbedingungen geschehen, um das Auftreten von Funken zu vermeiden.
- Die elektrischen Bauteile und Kabel stehen auch während des Ladens, Wiederherstellens oder Löschens des Systems nicht unter Spannung.
- es besteht eine Kontinuität der Erdung.

3. PRODUKTVORSTELLUNG

A. SICHT VORNE UND HINTEN





B. EIGENSCHAFTEN

- Effektive Feuchtigkeitsentfernung
- Überwachung und Anzeige der aktuellen Luftfeuchtigkeit (LED-Anzeige in Farben)
- Der automatische Modus passt die Luftfeuchtigkeit automatisch an
- Zeitschaltuhr mit 24 Stunden Intervall um die Betriebszeit einzustellen
- beseitigt wirksam die Feuchtigkeit und den Staub aus der Luft
- Geringer Energieverbrauch, energieeffizient
- Der Lüfter ist leise mit zwei Gängen
- Automatische Abtauung bei Niedertemperaturbetrieb
- Automatisches Herunterfahren / automatischer Neustart
- Elektronische Steuerung
- WiFi-Verbindung (für REVI 20 WIFI ION-Modell)
- Ionisator-Luftreinigungsfunktion (für Modell REVI 20 WIFI ION)
- Wäschetrocknungsfunktion (Modus Kontinuierlich)
- Kontinuierlicher Entfeuchtungsmodus
- Wassertank 4.5L

C. TECHNISCHE SPEZIFIKATIONEN

MODELL	REVI 20/ REVI 20 WIFI ION
Entfeuchtungskapazität	20L/Tag (30°C, 80%)
Zulauf	AC220-240V/50Hz
Verbrauch	330W/2.3A
Schallpegel	≤41dB(A)

Wassertank Kapazität	4.5L
Nettogewicht	13.5kg
Minimale Raumgröße	4 m² (Oberfläche des Bodens)
Abmessungen	305x235x495 mm

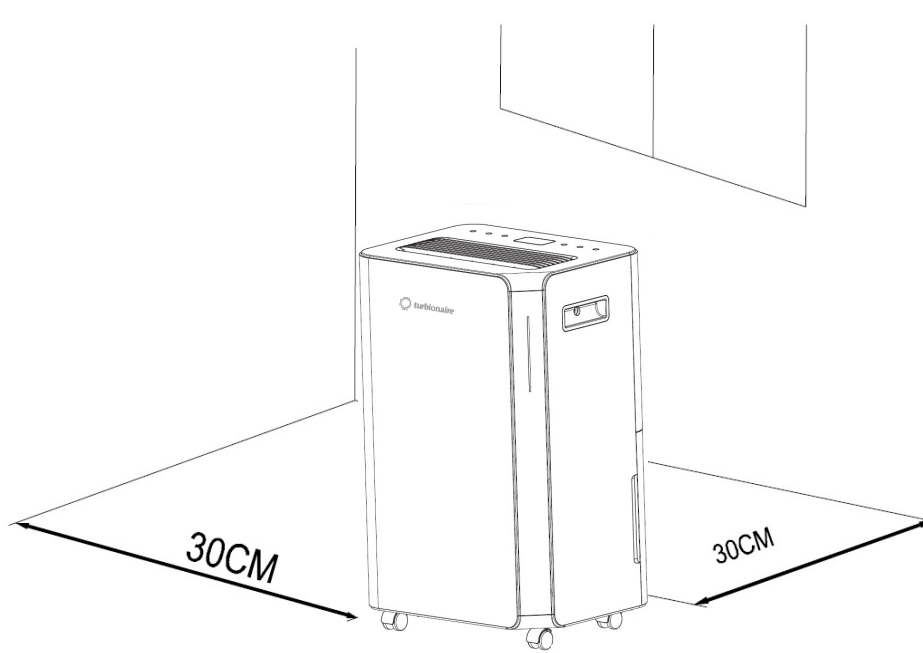
4. EINRICHTUNG

A. STANDORT DES ENTFEUCHTERS

Place Stellen Sie das Gerät auf eine stabile, ebene Fläche und lassen Sie um das Gerät herum mindestens 30 cm Freiraum, um eine ordnungsgemäße Luftzirkulation zu gewährleisten.

Installieren Sie niemals das Gerät:

- Neben Wärmequellen wie Heizkörpern, Heizstrahler, Herden oder anderen wärmeerzeugenden Geräten.
- In einem Bereich, in dem Öl oder Wasser versprüht werden kann
- In direktem Sonnenlicht
- In einem Bereich mit Vibrationen oder mechanischen Stößen
- In einem Bereich mit übermäßigem Staub
- In einem unbelüfteten Bereich wie einem Schrank oder einer Bibliothek
- Auf unebenem Untergrund





VORSICHTIG

Stellen Sie das Gerät in Räumen auf, die größer sind als 4 m².
Stellen Sie das Gerät nicht an einem Ort auf, an dem entflammbares Gas austreten kann.



BEMERKUNG

Der Hersteller kann ein anderes geeignetes Beispiel oder zusätzliche Informationen zum Geruch des Kältemittels bereitstellen.

B. SICHERER GEBRAUCH DES GERÄTS

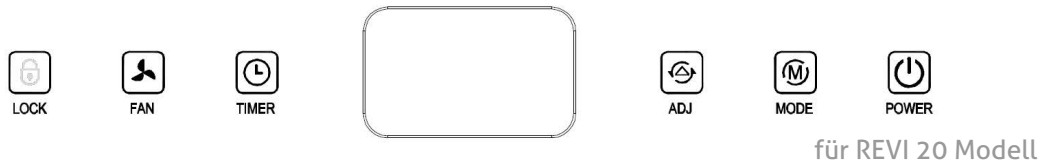
- Überprüfen Sie das Gerät nach dem Auspacken auf Beschädigungen oder Kratzer.
- Verwenden Sie dieses Gerät bei einer Umgebungstemperatur zwischen 5 ° C und 35 8 C.
- Verwenden Sie den Luftentfeuchter nicht im Freien. Dieser Luftentfeuchter ist nur für den Hausgebrauch bestimmt.
- Verwenden Sie den Luftentfeuchter nicht in der Nähe von Wänden, Vorhängen oder anderen Gegenständen, die den Lufteinlass und -auslass blockieren könnten.
- Halten Sie die Einlass- und Auslassöffnungen frei von Hindernissen
- Wenn das Gerät in einem Winkel von mehr als 45 ° geneigt wurde, lassen Sie es vor dem Start mindestens 24 Stunden lang aufrecht stehen.
- Halten Sie Türen und Fenster geschlossen, um die Effizienz des Luftentfeuchters zu verbessern.
- Verwenden oder lagern Sie das Gerät nicht in direktem Sonnenlicht oder im Regen.
- Es ist normal, dass sich der Luftauslass nach einem Dauerbetrieb an heißen Tagen erwärmt.
- Leeren Sie den Wassertank, bevor Sie den Luftentfeuchter bewegen.
- Stellen Sie sicher, dass der Wassertank ordnungsgemäß montiert ist, da sonst das Gerät nicht richtig funktioniert.
- Der Luftentfeuchter startet in dem Modus, der bei der letzten Verwendung ausgewählt wurde.
- Der Luftentfeuchter beginnt, die Raumluft zu entfeuchten, wenn die Luftfeuchtigkeit 3% über dem gewählten Wert liegt.
- Der Kompressor ist mit einem Schutzsystem ausgestattet, das den Start um 3 Minuten verzögert. Sie müssen also 3 Minuten warten, bis das Gerät den Entfeuchtungsprozess wieder aufgenommen hat.

5. BETRIEB

Wenn die Luftfeuchtigkeit ≤ 45 % ist, leuchtet die LED-Anzeige für die Luftfeuchtigkeit BLAU. 45 % $<$ Luftfeuchtigkeit $<$ 65 % – Die LED-Anzeige für Luftfeuchtigkeit zeigt die GRÜNE Farbe.

Luftfeuchtigkeit ≥ 65 % – die LED für Luftfeuchtigkeit Die Anzeige zeigt die Farbe ROT an Wenn auf der Digitalanzeige ein Fehlercode angezeigt wird, leuchtet die LED-Anzeige für die Luftfeuchtigkeit ROT.

Bedienfeld



für REVI 20 Modell



für REVI 20 WIFI ION-Modell

POWER-Taste – Berühren Sie diese Taste, um das Gerät ein- oder auszuschalten.

MODE-Taste – Berühren Sie diese Taste, um den Modus „Auto“, „Schlaf“ oder „Kontinuierliches Trocknen“ auszuwählen.

HUM-Taste – Berühren Sie diese Taste, um die Luftfeuchtigkeit anzupassen und die Stunde des Timers auszuwählen.

TIMER-Taste – Berühren Sie diese Taste, um eine Zeit einzustellen, zu der das Gerät automatisch startet oder stoppt.

Um WLAN zu aktivieren, berühren Sie die **Timer-Taste** mindestens 5 Sekunden lang. Die WLAN-Anzeige auf dem Display beginnt zu blinken. **(für das REVI 20 WiFi ION-Modell)**



HINWEIS: Um die WiFi-Funktion zu nutzen, lesen Sie die Anweisungen am Ende dieser Bedienungsanleitung

Taste FAN – Berühren Sie diese Taste, um die Lüftergeschwindigkeit zwischen hoch und niedrig zu wählen.

ION/LOCK-Taste (für Revi 20 WiFi ION-Modell) – Drücken Sie die ION/LOCK-Taste, um die Luftreinigungsfunktion zu starten. Drücken Sie diese Taste 3 Sekunden lang, um die Kindersicherungsfunktion ein- oder auszuschalten.

LOCK-Taste (für Revi 20-Modell) – Berühren Sie diese Taste, um die Kindersicherungsfunktion ein- oder auszuschalten.

Digitalanzeige – Zeigt je nach Modell den Luftfeuchtigkeitswert, die Timer-Einstellung, die Temperatur und andere Informationen gemäß den folgenden Bildern an.



für REVI 20 Modell

Wassertank-Vollanzeige, erinnert Sie daran, den Wassertank zu reinigen.

Kindersicherungsanzeige.

Timer-Anzeige.

A Anzeige für Automatikmodus/Kontinuierlicher Trocknungsmodus/Schlafmodus.

CNT

Lüftergeschwindigkeiten

Kraftmesser



für REVI 20 WIFI ION-Modell

- Wassertank-Vollanzeige, erinnert Sie daran, den Wassertank zu reinigen.
- Kindersicherungsanzeige.
- Ionisator-Luftreinigungsanzeige
- Timer-Anzeige.
- Auto-Modus/Kontinuierlicher Trocknungsmodus/Schlafmodus.
- Kraftmesser
- Anzeige für niedrige/hohe Lüftergeschwindigkeit
- Wifi Anzeige



POWER

POWER

Drücken Sie im Standby-Modus zum Einschalten die Ein-/Aus-Taste, die Betriebsanzeige leuchtet auf und die Standard-Lüftergeschwindigkeit ist hoch und die Standard-Luftfeuchtigkeit beträgt 50 %. Drücken Sie im eingeschalteten Zustand zum Ausschalten die Ein-/Aus-Taste. Die Betriebsanzeige erlischt, der Kompressor stoppt sofort und der Lüfter schaltet sich nach einer Verzögerung von 30 Sekunden ab.



MODE

MODE

Berühren Sie die Modustaste, um zwischen Automatik-, Schlaf- und Trockenmodus zu wechseln..

- Auto-Modus: Wenn die Umgebungsfeuchtigkeit \geq der eingestellten Luftfeuchtigkeit 3 % ist, beginnt der Lüfter zu arbeiten und der Kompressor beginnt nach 3 Sekunden zu arbeiten. Wenn die Umgebungsfeuchtigkeit \leq eingestellte Luftfeuchtigkeit -3 % ist, stoppt der Kompressor und der Lüfter nach einer Verzögerung von 30 Sekunden.

Berühren Sie die ADJ-Taste , um die Luftfeuchtigkeit im Automatikmodus zwischen 30 % und 80 % einzustellen.

Sowohl die Lüftergeschwindigkeit als auch die Luftfeuchtigkeit können im Automatikmodus angepasst werden.

- Trockenmodus (Kontinuierlicher Modus): Das Gerät läuft weiter, die Lüftergeschwindigkeit kann angepasst werden, die Luftfeuchtigkeit kann nicht angepasst werden.
- Schlafmodus: Berühren Sie die Schlafstaste, die Taste leuchtet auf und startet die Schlaffunktion. Die Standardfeuchtigkeit beträgt 60 %. Wenn das Bedienfeld nicht innerhalb von 10 Sekunden betätigt wird, werden alle Anzeigen nach und nach dunkel und die Lüftergeschwindigkeit wird automatisch von hoch auf niedrig umgeschaltet. Berühren Sie die SLEEP-Taste erneut, um den Schlafmodus zu verlassen. Sowohl die Lüftergeschwindigkeit als auch die Luftfeuchtigkeit können im Schlafmodus angepasst werden. Berühren Sie die MODE-Taste erneut, um den SLEEP-Modus zu verlassen.



TIMER

TIMER

Berühren Sie die Timer-Taste, um die 00-24-Stunden-Timing-Funktion einzustellen. Das Anzeigefeld „88“ blinkt und zeigt die Timer-Stunde an. Berühren Sie die ADJ-Taste , der Wert erhöht sich um 1 Stunde, der Wert wird auf dem Anzeigebildschirm „88“ angezeigt. Verwenden Sie im laufenden Zustand die Timer-Funktion, um das Gerät regelmäßig auszuschalten. Stellen Sie die ein Stellen Sie die Zeit auf „00“, um die Zeitmessungsfunktion abzubrechen.



LÜFTERGESCHWINDIGKEIT

Hoher Lüfter – niedriger Lüfterzyklus, berühren Sie die Taste einmal, um umzuschalten, und dann leuchtet die entsprechende Anzeige auf. Im kontinuierlichen Trocknungsmodus und in der Abtauphase kann die Lüftergeschwindigkeit nicht geändert werden.



ION/LOCK-Taste (für Revi 20 WIFI ION-Modell) – Drücken Sie die ION/LOCK-Taste, um die Luftreinigungsfunktion zu starten. Drücken Sie diese Taste 3 Sekunden lang, um die Kindersicherungsfunktion ein- oder auszuschalten.



KINDERSICHERUNG (SPERRE) (für Revi 20 Modell)

Drücken Sie lange auf die Kindersicherungstaste, um die Kindersicherungsfunktion ein- oder auszuschalten.

KINDERSICHERUNG (SPERRE)

Drücken Sie lange auf die Kindersicherungstaste, um die Kindersicherungsfunktion ein- oder auszuschalten.

Alarm „Wassertank voll“/Wassertankanzeige

Wenn der Tank voll ist, wird der Alarm für 5 Sekunden eingestellt. Die LED-Anzeige für vollen Tank leuchtet rot

Löschen Sie den Alarm

Wenn der Summton eingeschaltet ist, drücken Sie eine beliebige Taste, um ihn zu stoppen. Der Kompressor und der Ventilator schalten sich ab und alle Funktionen bleiben stehen, bis der Wassertank geleert und wieder in der richtigen Position ist.

A. Entwässerung

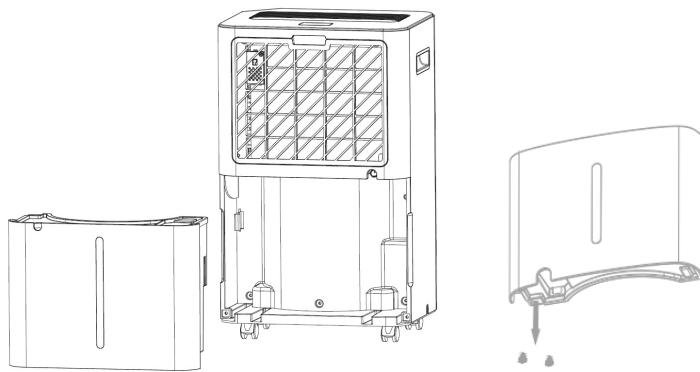
Es gibt zwei Möglichkeiten, das vom Gerät erzeugte gesammelte Wasser zu entfernen.

- a) Manuelles Entleeren: Der Wassertank wird manuell entfernt.
- b) Kontinuierliche Entleerung: Befestigen Sie einen Ablaufschlauch am Gerät, damit das Kondenswasser durch Schwerkraft abfließen kann.

B. Entleeren des Wassertanks

Das Gerät schaltet sich ab, sobald der Wassertank voll ist. Sobald Sie den Wassertank geleert und ordnungsgemäß wieder eingesetzt haben, läuft er wieder. Wenn der Tank voll ist, gibt das Gerät ein summendes Geräusch von sich und die LED „Wasser voll“ leuchtet auf.

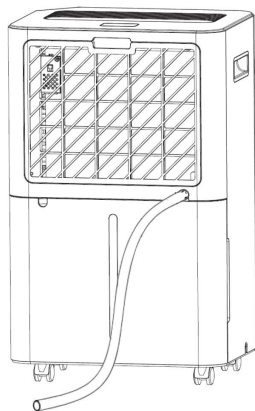
- Berühren Sie die POWER-Taste, um das Gerät auszuschalten.
- Ziehen Sie am Wassertank und schieben Sie ihn aus dem Gehäuse des Luftentfeuchters.
- Entleeren Sie das Wasser in einen Bereich mit Abfluss oder ins Freie.
- Reinigen Sie bei Bedarf sowohl das Innere als auch das Äußere des Tanks.
- Setzen Sie den leeren Tank wieder in das Gerät ein.
- Drücken Sie die POWER-Taste, um das Gerät neu zu starten.
- Wenn die LED „Wasser voll“ immer noch leuchtet, prüfen Sie, ob der Schwimmer des Wassertanks richtig platziert und frei von Blockaden ist.



C. Kontinuierliche Entwässerung

Für den Dauerbetrieb oder die unbeaufsichtigte Entfeuchtung schließen Sie bitte den beiliegenden Ablaufschlauch an das Gerät an. Kondenswasser fließt durch die Schwerkraft ungehindert in einen Eimer oder ein Abflussloch ab.

- Stellen Sie das Gerät auf eine horizontale und stabile Oberfläche.
- Schalten Sie das Gerät vor dem Betrieb aus.



- Schließen Sie den Ablaufschlauch richtig an und stellen Sie sicher, dass er nicht verstopft ist.
- Stecken Sie das Ablaufende des Schlauchs in einen Abfluss oder einen Eimer und stellen Sie sicher, dass das Wasser ungehindert aus dem Gerät abfließen kann.
- Tauchen Sie das Schlauchende nicht in Wasser, da dies dazu führen kann, dass sich die Luft im Schlauch "blockiert".

Um ein Auslaufen von Wasser zu verhindern:

- Da der Unterdruck des Kondensatablaufbehälters hoch ist, neigen Sie den Ablaufschlauch nach unten, auf den Boden. Der Neigungswinkel muss über 20° sein.
- Den Schlauch gerade ziehen, um ein Verbiegen zu vermeiden.

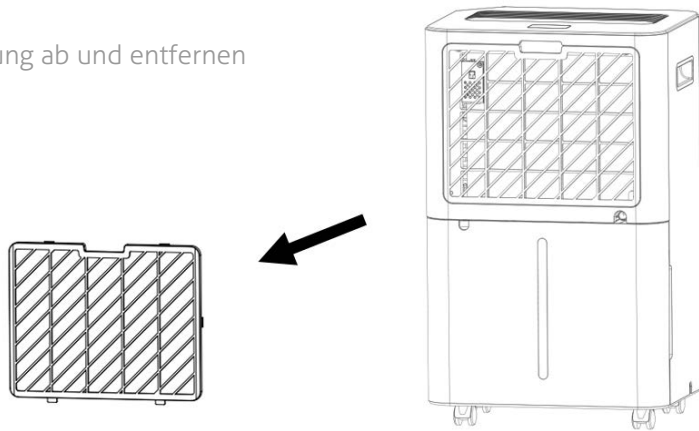
6. INSTANDHALTUNG

REINIGUNG DES LUFTFILTERS

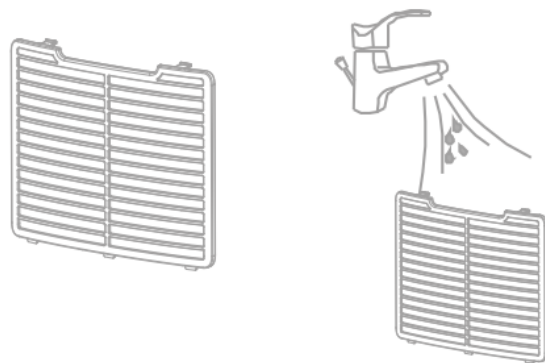
Reinigen Sie den Filter mindestens alle zwei Wochen oder bei Bedarf. Die in einem unsauberen Filter angesammelten Verunreinigungen können vom Lüfter absorbiert werden und am Verdampfer, Kondensator und anderen Bauteilen im Inneren des Geräts befestigt werden. Dies führt zu einer Verringerung des Wirkungsgrades und zum Auftreten verschiedener Fehler, die nicht von der Garantie abgedeckt sind.

Wenn sich im Inneren des Geräts Verunreinigungen befinden, wenden Sie sich zur professionellen Reinigung an die nächstgelegene autorisierte Servicewerkstatt. Führen Sie internen Reinigungsarbeiten (außer dem Reinigen und Waschen des abwaschbaren Filters) nur mit Fachpersonal durch.

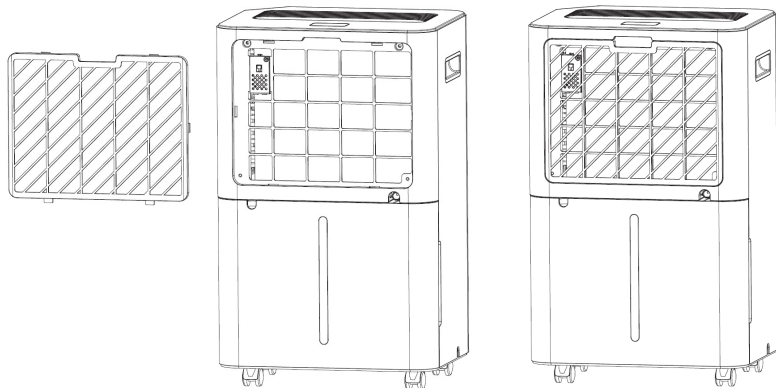
- a) Nehmen Sie die Filterabdeckung ab und entfernen Sie den Filter.



- b) Saugen Sie den Staub auf der Filteroberfläche vorsichtig mit einem Staubsauger auf. Weichen Sie das Sieb in etwa 40 Grad Celsius warmem Wasser ein. Wenn der Filter stark verschmutzt ist, waschen Sie ihn mit Wasser und einem milden Reinigungsmittel und trocknen Sie ihn anschließend gründlich ab.



- c) Setzen Sie den Filter wieder an seinen ursprünglichen Platz ein, der sich auf der Rückseite des Geräts befindet.



7. FEHLERBEHEBUNG

A. BETRIEBSTEMPERATUR

5°C ≤ Umgebungstemperatur ≤ 38°C Wenn die Umgebungstemperatur niedriger oder höher als die Betriebstemperatur ist, stoppt der Luftentfeuchter.

Wenn 5°C ≤ Temp. der Umgebung ≤ 16°C, taut der Kompressor in bestimmten Intervallen automatisch ab; Während des Abtauens stoppt der Kompressor und der Lüfter läuft weiter.

B. BEVOR SIE SICH AN DIE SERVICEWERKSTATT WENDEN

Konsultieren Sie die Liste der möglichen Probleme, die während des Betriebs des Geräts auftreten können und die nicht auf einen Arbeitsmangel oder Materialfehler zurückzuführen sind, bevor Sie sich an das Servicecenter wenden.

Problem	Mögliche Ursachen	Lösung
Das Gerät funktioniert nicht	Es gibt keine Stromzufuhr.	Schließen Sie das Gerät an eine Steckdose an und schalten Sie es ein.
	Die Anzeige "Water Full" (Tank voll) leuchtet.	Leeren Sie den Wasserbehälter und bauen Sie ihn wieder richtig ein.
	Raumtemperatur <5°C oder >35°C	Schutzsystem installiert, um das Gerät zu schützen. Das Gerät kann bei einer solchen Temperatur nicht betrieben werden.
Schadhafter Betrieb	Blockierter Luftfilter?	Reinigen Sie den Luftfilter wie es in dieser Bedienungsanleitung beschrieben wird.
	Ist die Einlass- oder Auslassöffnung blockiert?	Entfernen Sie alles, was die Einlass- oder Auslassöffnung blockiert.
Die Lufteinlassöffnung erlaubt es der Luft nicht durch	Filter blockiert?	Waschen Sie den Filter.
Das Gerät macht während des Betriebs Geräusche	Befindet sich das Gerät auf einer ebenen, waagerechten Fläche?	Stellen Sie das Gerät richtig auf..
	Filter blockiert?	Waschen Sie den Filter.

E1/E2	Probleme mit dem Feuchtigkeitssensor	Tauschen Sie den Sensor aus
LO	Die Luftfeuchtigkeit im Raum ist unter 20% gesunken	Der Luftentfeuchter schaltet sich automatisch aus, um sich selbst zu schützen.
HI	Die Luftfeuchtigkeit im Raum stieg um mehr als 90%	
CL	Schutz bei niedriger Temperatur, wenn die Temp im Zimmer <5°C ist	
CH	Schutz bei hoher Temperatur, wenn die Temp im Zimmer >35°C	

8. ENTSORGUNG

8.1 LAGERUNG DER EINHEIT

Langfristige Lagerung - Wenn Sie das Gerät für längere Zeit nicht verwenden (mehr als einige Wochen), empfehlen wir ihnen dieses zu reinigen und vollständig zu trocknen. Bitte lagern Sie das Gerät wie folgt:

- Drücken Sie den Netzschalter, um das Gerät auszuschalten und vom Stromnetz zu trennen.
- Lassen Sie das restliche Wasser aus dem Gerät ab
- Reinigen Sie den Filter und lassen Sie ihn an einem lichtfreien Ort vollständig trocknen.
- Wickeln Sie das Netzkabel ein.
- Setzen Sie den Filter wieder in die richtige Position ein.
- Das Gerät muss bei der Lagerung aufrecht stehen.
- Bewahren Sie den Luftentfeuchter in einem belüfteten, trockenen und brennstofffreien Raum auf.

VORSICHT: Der Verdampfer im inneren des Luftentfeuchters muss vor dem Verpacken trocken sein, um Schäden an den Bauteilen und das Auftreten von Schimmel zu vermeiden. Ziehen Sie den Netzstecker aus der Steckdose und stellen Sie das Gerät tagelang an einen trockenen Ort, um es gut zu trocknen. Eine andere Möglichkeit zum Trocknen des Geräts besteht darin, die Luftfeuchtigkeit auf 5% über der Umgebungsfeuchtigkeit einzustellen und den Lüfter zu zwingen, den Verdampfer mehrere Stunden lang zu trocknen.

8.2 ENTSORGUNG



WARNUNG!!! Die Freisetzung des Kältemittels in die Atmosphäre ist strengstens untersagt! Entsorgen Sie Elektrogeräte nicht als unsortierten Hausmüll, sondern verwenden Sie getrennte Sammelräume. Informationen zu den in der Region verfügbaren Sammelsystemen erhalten Sie von Ihrer örtlichen Verwaltungsbehörde. Wenn Elektrogeräte mit dem Hausmüll entsorgt werden, können gefährliche Stoffe in das Grundwasser gelangen und die Nahrungskette erreichen, was die Gesundheit und das Wohlbefinden der Menschen schädigt.

SMARTLIFE - BENUTZERHANDBUCH DER APP für B5F 9' ž 'G Y6Y9 >

Die "Smart Life" App ist für Android und iOS verfügbar. Scannen Sie mit Ihrem Smartphone den entsprechenden QR-Code, um direkt zum Download zu gelangen.

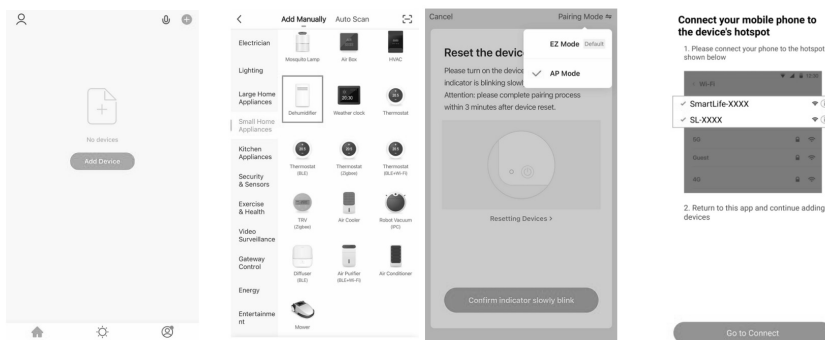


So verwenden Sie die App

Mit dieser Appliance können Sie die Appliance über Ihr WIFI-Heimnetzwerk bedienen. Voraussetzung ist eine permanente WIFI-Verbindung zu Ihrem Router und die kostenlose App „Smart Life“. Wir empfehlen, das Gerät von der Stromversorgung zu trennen, wenn Sie nicht zu Hause sind, um ein unbeabsichtigtes Einschalten unterwegs zu verhindern!

Inbetriebnahme über die App

1. Installieren Sie die „Smart Life“-App. Erstellen Sie ein Benutzerkonto.
2. Aktivieren Sie die WLAN-Funktion in den Einstellungen Ihres Geräts – berühren Sie die TIMER-Taste mindestens 5 Sekunden lang
3. Stellen Sie das Gerät in einem Abstand von ca. 5 Metern zu Ihrem Router auf.
4. Solange das Gerät eingeschaltet ist, blinkt die WLAN-Anzeige langsam. Nach 3 Minuten lautet der Status Der Vorgang wird abgebrochen, wenn keine Netzwerkkonfiguration vorliegt und die Anzeigeleuchte aus ist. Wenn Sie die WLAN-Verbindung erneut herstellen müssen, drücken Sie lange Halten Sie die „TIMER“-Taste 5 Sekunden lang gedrückt, um die Netzwerkkonfiguration zu starten. Die WIFI-Anzeige blinkt langsam.
5. Wenn die WLAN-Anzeige langsam blinkt, wählen Sie „Gerät hinzufügen“ – „Kleine Haushaltsgeräte“ – „Luftentfeuchter“ und Befolgen Sie die Anweisungen in der Smar Life-App. Wählen Sie oben rechts in der App „AP-Modus“ und dann „Anzeige bestätigen“. blinken Sie langsam“ und drücken Sie „Gehe zu Verbinden“, um das WLAN mit dem Namen „SmartLife-XXXX“ zu verbinden.
7. Wenn die WLAN-Anzeige schnell blinkt, kann eine direkte Verbindung hergestellt werden. Sobald das Gerät erfolgreich verbunden wurde, leuchtet die WLAN-Leuchte auf. Jetzt können Sie das bedienen Gerät über die App steuern.
8. Halten Sie die TIMER-Taste etwa 5 Sekunden lang gedrückt, das Gerät wird ausgeschaltet und die WLAN-Anzeige erlischt.



FEHLERBEHEBUNG

Netzwerkverbindung fehlgeschlagen	Lösung
Zeitüberschreitung bei der Netzwerkverbindung	<ol style="list-style-type: none">1. Überprüfen Sie, ob Sie das WIFI mit dem Namen „SmartLife-XXXX“ auswählen.2. Schalten Sie das Gerät aus und ziehen Sie nach 10 Sekunden den Netzcode und das Plug-In ab. Rufen Sie die App auf, um erneut eine Verbindung herzustellen.
WIFI-Anzeige aus	Drücken Sie lange die Taste „Timer“ oder schalten Sie das Gerät aus und ziehen Sie nach 10 Sekunden den Netzcode und das Plug-In heraus.
Der WIFI-Hotspot verschwindet und die WIFI-Anzeige blinkt	Schalten Sie das Gerät aus und ziehen Sie den Netzcode und das Plugin nach 10 Sekunden ab. Rufen Sie die App auf, um erneut eine Verbindung herzustellen.

ES: CONTENIDO

1.	NOCIONES PRELIMINARES	57
2.	INSTRUCCIONES DE SEGURIDAD	58
3.	PRESENTACIÓN DEL PRODUCTO	62
4.	INSTALACIÓN	64
5.	FUNCIONAMIENTO	65
6.	MANTENIMIENTO	69
7.	SOLUCIONAR LOS PROBLEMAS	71
8.	ELIMINACIÓN	72
9.	SMART LIFE APP - manual de usuario	73

Gracias por elegir nuestro deshumidificador.

Asegúrese de leer este manual detenidamente antes de utilizar el deshumidificador.

Por favor lea atentamente este manual para referencias futuras!

1. NOCIONES PRELIMINARES

Por favor lea con atención el manual de utilización antes de poner en función el deshumidificador por primera vez.

A. DESCRIPCIÓN DEL PRODUCTO

El deshumidificador se utiliza para eliminar el exceso de humedad del aire. La reducción de los niveles de humedad protege los edificios y objetos que se encuentran dentro de ellos de los efectos adversos de la humedad.

El producto R290 es ecológico y se utiliza como refrigerante. R290 no tiene ninguna influencia negativa sobre la capa de ozono (ODP) o efecto invernadero (GWP) y está disponible en todo el mundo. Debido a sus propiedades energéticas eficientes, R290 es muy adecuado como refrigerante en la situación dada. Sin embargo, precauciones especiales se deben tener en cuenta debido al alto nivel de inflamabilidad del refrigerante.

B. SÍMBOLOS UTILIZADOS EN LA UNIDAD Y EN EL MANUAL



Advertencia!

Este dispositivo utiliza refrigerante.

Si el refrigerante drena y entra en contacto con una fuente de llama o calentamiento, creará gases nocivos y existe el riesgo de incendio.



Lea atentamente el manual de instrucciones antes de utilización.



Encontrará información adicional en el MANUAL DE UTILIZACIÓN y en el MANUAL DE SERVICIO.



Antes de poner el dispositivo en funcionamiento, las personas que efectúan las operaciones de servicio deben leer atentamente el MANUAL DE UTILIZACIÓN y el MANUAL DE SERVICIO.

C. SIEMPRE PRESTE ATENCIÓN A LA SIGUIENTE INFORMACIÓN

- Este dispositivo está destinado tanto a usuarios expertos o capacitados en tiendas, industria ligera y granjas, como también a usuarios domésticos.
- Este dispositivo puede ser utilizado por niños mayores de 8 años y personas con capacidades físicas, sensoriales o mentales reducidas o falta de experiencia y conocimientos, siempre que estén bajo la supervisión de personas adultas responsables por su seguridad o cuando reciben instrucciones acerca de cómo se debe utilizar la unidad.
- Este dispositivo no es un juguete. Los niños menores de tres años deben ser supervisados continuamente y mantenidos alejados de éste.
- La limpieza y el mantenimiento del dispositivo no deben ser realizados por niños.
- La unidad está diseñada únicamente para ser utilizada con gas R290 (propano) como refrigerante designado.
- El circuito de refrigeración está sellado. Sólo las personas cualificadas pueden realizar reparaciones en el circuito de refrigeración.
- No descargue el refrigerante en la atmósfera.
- R290 (propano) es inflamable y pesa más que el aire.
- R290 se puede identificar al nivel del suelo, pero también puede ser distribuido por un ventilador.
- Si sospecha la presencia de gas propano, no permita que personas no calificadas intenten reparar la planta.
- El gas propano utilizado en la planta de este dispositivo es inodoro.
- La falta de olor no indica la falta de gases evacuados.
- Si se detecta una fuga, evacúe inmediatamente a todas las personas de la zona, ventile la habitación y póngase en contacto con los bomberos para notificarles de la fuga de propano.
- No permita que nadie regrese a la habitación antes de que llegue el técnico y antes de tener su recomendación acerca de la seguridad de volver a la zona afectada.
- No se debe utilizar llamas abiertas, cigarrillos u otras posibles fuentes de ignición en el interior o en las proximidades del dispositivo.
- Los componentes están diseñados específicamente para ser utilizados con gas propano. Los componentes se sustituyen únicamente por piezas de repuesto idénticas.

NO RESPETAR LAS INSTRUCCIONES DE SEGURIDAD PUEDE AUMENTAR EL RIESGO DE EXPLOSIONES, MUERTE, LESIONES Y DAÑOS MATERIALES.

2. INSTRUCCIONES DE SEGURIDAD

Su seguridad es lo más importante para nosotros



Lea atentamente este manual antes de usar el deshumidificador.

A. ADVERTENCIAS SOBRE EL FUNCIONAMIENTO DEL DISPOSITIVO

Advertencias: sobre el riesgo de incendio, electrochoques, lesiones a personas o daños materiales.

- Si el cable de alimentación está dañado, debe ser reemplazado por el fabricante, su agente de servicio o por personas calificadas para evitar un peligro.
- El nivel de presión acústica ponderada A está por debajo de 36 dB.
- Durante las operaciones de mantenimiento, debe desconectar el dispositivo de la fuente de alimentación.
- Conecte siempre el dispositivo a una fuente de alimentación, frecuencia y potencia correspondientes a las indicadas en la placa de identificación del producto.
- Utilice siempre un enchufe con toma de tierra.
- Desconecte el cable de alimentación cuando limpie el dispositivo o cuando no esté en uso.
- No utilice el dispositivo con las manos mojadas. No deje que el agua se derrame sobre la unidad.
- No sumerja el dispositivo en agua ni lo exponga a lluvia, humedad o cualquier otra fuente líquida.
- No deje el dispositivo desatendido cuando funcione. No lo incline ni lo ponga boca abajo.
- No desconecte el dispositivo durante el funcionamiento.
- No desconecte arrastrando el cable de alimentación.
- No utilice un cable de extensión ni un adaptador.
- No coloque objetos sobre el dispositivo.
- No suba ni se sienta sobre el dispositivo.
- No inserte los dedos u otros objetos en la salida de aire.
- No toque la salida de aire ni las ranuras de aluminio del dispositivo.
- No utilice el dispositivo si ha caído, está dañado o muestra signos de mal funcionamiento.
- No limpie el dispositivo con productos químicos.
- Asegúrese de que el dispositivo esté alejado del fuego, de objetos inflamables o explosivos.
- El dispositivo debe ser instalado de acuerdo con la normativa nacional acerca de los sistemas de cableado.
- No utilice otros medios para acelerar el proceso de descongelación o limpieza que no sean los recomendados por el fabricante.
- El dispositivo debe almacenarse en una habitación sin dispositivos que funcionen continuamente (por ejemplo: llama abierta, dispositivo de gas o calentador eléctrico).
- El dispositivo debe almacenarse de manera que se evite su deterioro.
- No desmonte ni deseche el dispositivo en fuego, incluso después de su uso.
- Tenga en cuenta que los agentes de refrigeración son inodoros.
- Las tuberías del dispositivo se deben proteger en contra de daños físicos y no deben ser instalados en un espacio no ventilado si este espacio es inferior a 4m².
- Respete la normativa nacional sobre los gases.

- Mantenga los conductos de ventilación libres de obstáculos.
- El dispositivo se debe almacenar en una zona bien ventilada en la que el tamaño de la habitación corresponda a las condiciones especificadas para un funcionamiento adecuado



Toda persona que trabaje con un circuito de refrigeración deberá poseer un certificado válido expedido por una autoridad de evaluación acreditada en el campo que autorice su competencia para manipular los refrigerantes en condiciones seguras, de acuerdo con las especificaciones reconocidas en esa industria.

Las reparaciones de la instalación deben llevarse a cabo únicamente de acuerdo con las recomendaciones del fabricante. El mantenimiento y las reparaciones requieren la asistencia de personal cualificado y se llevarán a cabo bajo la supervisión de una persona competente en el uso de refrigerantes inflamables. Si hay algunos aspectos que no entienda o si necesita ayuda, póngase en contacto con los servicios del distribuidor autorizado.

B. PRECAUCIONES DE SEGURIDAD EN REPARACIONES

Tenga en cuenta estas advertencias antes de realizar operaciones de mantenimiento en un deshumidificador con R290.

i. Controles en la proximidad del dispositivo

Prior to beginning work on systems containing flammable refrigerants, safety checks are necessary to ensure that the risk of ignition is minimized. For repair to the refrigerating system, the following precautions shall be complied with prior to conducting work on the system.

ii. Procedimiento de trabajo

Los trabajos se llevarán a cabo con arreglo a un procedimiento controlado para minimizar el riesgo de aparición de gas o vapores inflamables durante el trabajo.

iii. Zona de trabajo

Todo el personal de mantenimiento y otras personas que trabajan en la proximidad deben estar capacitados sobre la naturaleza del trabajo realizado. Se evitará el trabajo en espacios cerrados. Se demarca la zona del espacio de trabajo. Asegúrese de que los espacios de la zona han sido asegurados mediante el control de materiales inflamables.

iv. COMPROBAR LA PRESENCIA DEL REFRIGERANTE

La zona debe ser revisada con un detector de refrigerantes adecuado antes y durante el trabajo para garantizar la presencia de materiales potencialmente inflamables. Asegúrese de que el equipo de detección de fugas utilizado es adecuado para identificar los refrigerantes inflamables, que no produce chispas y está debidamente sellado.

v. PRESENCIA DEL EXTINTOR DE INCENDIOS

Cuando se realicen trabajos en caliente en el equipo de refrigeración o en cualquier pieza asociada a éste, hay que tener disponible un equipo adecuado de extinción de incendios. Asegúrese de tener en proximidad extintores a base de polvo seco o de CO₂.

vi. Sin fuentes de ignición

Ninguna persona que realice obras dentro de un sistema de refrigeración y que implique la exposición a un refrigerante inflamable no utilizará fuentes de ignición de manera que se evite el riesgo de incendio o explosión. Todas las posibles fuentes de ignición, incluido fumar, se deben mantener lo suficientemente alejadas del lugar de instalación, reparación, desmontaje y eliminación, donde se pueda liberar el refrigerante inflamable. Antes de realizar las obras, se debe comprobar la zona alrededor de la instalación para asegurarse de que no hay productos inflamables o riesgos de ignición. Se utilizará la placa "Prohibido fumar".

vii. Zona ventilada

Asegúrese de que la zona de trabajo esté bien ventilada antes de comenzar a trabajar en la instalación o realizar trabajos en caliente. La ventilación debe dispersar de forma segura cualquier refrigerante emanado y, preferiblemente, expulsarlo externamente en la atmósfera.

viii. Controles en la instalación con refrigerante

Si se cambian los componentes eléctricos, éstos deben ser adecuados al propósito y seguir las especificaciones correctas. Las instrucciones del fabricante sobre las operaciones de mantenimiento y servicio deben seguirse a toda hora. En caso de duda, consulte al departamento técnico del fabricante para asistencia.

Los siguientes controles se aplicarán a las instalaciones que utilicen refrigerantes inflamables:

- El tamaño de la carga es coherente con el tamaño de la habitación en la que se instalan los componentes que contienen el refrigerante;
- Los dispositivos y los conductos de ventilación funcionan correctamente y no están obstruidos;
- Cuando se utilice un circuito indirecto de refrigeración, se deberá comprobar la presencia del refrigerante en el circuito secundario;
- Las marcas del equipo de trabajo serán visibles y legibles. Cualquier marca y signo que sea ilegible será corregido;
- la planta que contiene el refrigerante o sus componentes se colocará de tal manera que no puedan exponerse a ninguna sustancia corrosiva, a menos que los componentes están hechos de materiales que son inherentemente resistentes a corrosión o están adecuadamente protegidos.

ix. Controles de los dispositivos eléctricos

La reparación y el mantenimiento de los componentes eléctricos incluirán controles de seguridad iniciales y procedimientos de inspección de los componentes. Si hay un mal

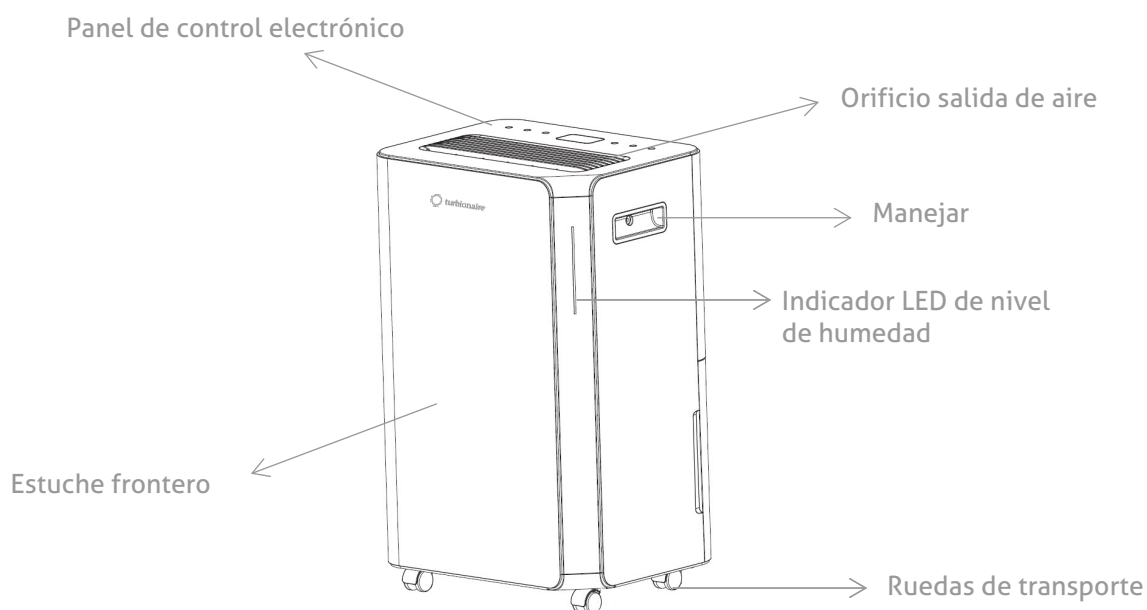
funcionamiento que podría comprometer la seguridad, el dispositivo no se conectará a corriente hasta que el defecto se resuelva satisfactoriamente. Si el defecto no se puede corregir inmediatamente, pero es necesario continuar el funcionamiento, se utilizará una solución temporal adecuada. El propietario del equipo será informado de esto para que todas las partes tomen cuenta de esta situación.

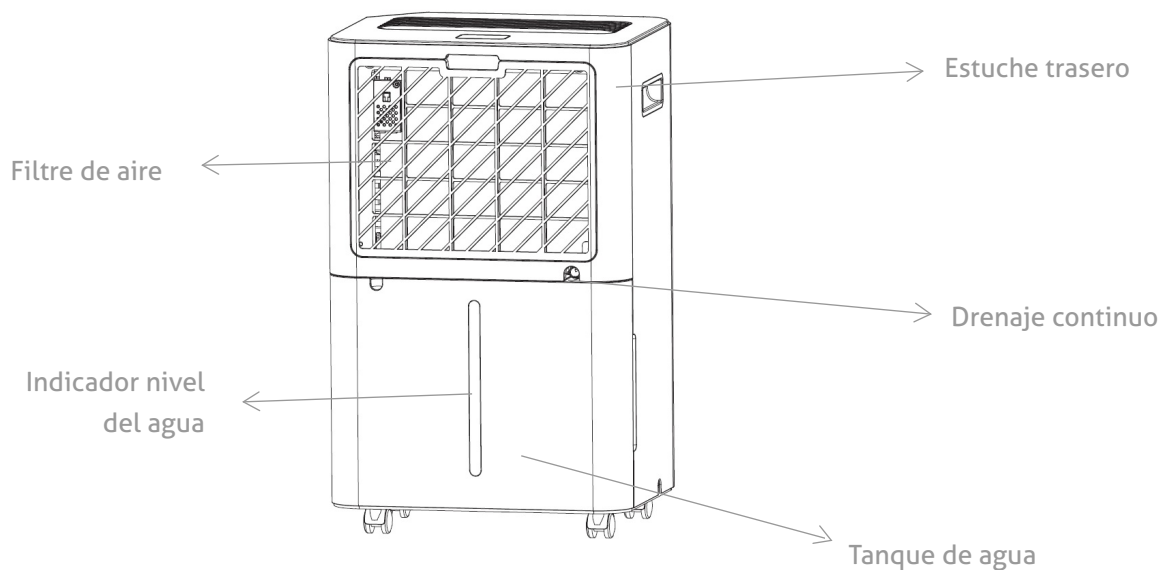
Los controles de seguridad iniciales se llevarán a cabo cuando:

- los condensadores estén descargados: esto debe hacerse de forma segura para evitar que surjan chispas;
- los componentes y cables eléctricos no están bajo tensión y durante la carga, recuperación o drenaje del sistema;
- hay una continuidad de la puesta a tierra

3. PRESENTACIÓN DEL PRODUCTO

A. VISTA FRONTAL Y TRASERA





B. CARACTERÍSTICAS

- Potente eliminación de la humedad
- Monitoreo y visualización de la humedad actual (Indicador Led en colores)
- El modo automático ajusta automáticamente los niveles de humedad
- Temporizador de 24 horas para configurar el tiempo de funcionamiento
- Elimina eficazmente la humedad y el polvo del aire
- Bajo consumo de energía: eficiencia energética
- El ventilador silencioso tiene dos configuraciones de velocidad
- Auto-Descongelación a baja temperatura
- Apagado automático/ reinicio automático
- Control electrónico
- Función de secado de ropa (modo continuo)
- Filtro de polvo
- Conexión WiFi (*para modelo REVI 20 WIFI ION*)
- Función de purificación de aire con ionizador (*para el modelo REVI 20 WIFI ION*)
- Drenaje continuo
- Depósito de agua de 4,5 l

C. ESPECIFICACIONES TÉCNICAS

MODELO	REVI 20/ REVI 20 WIFI ION
Capacidad de deshumidificación	20L/Dia (30°C, 80%)
Podor	AC220-240V/50Hz
Consumo	330W/ 2.3A
Noise	≤41dB(A)

Nivel del ruido	4.5L
Peso neto	13.5 Kg
Mínimo de la habitación	4 m² (superficie del suelo)
Dimensiones	305x235x495 mm

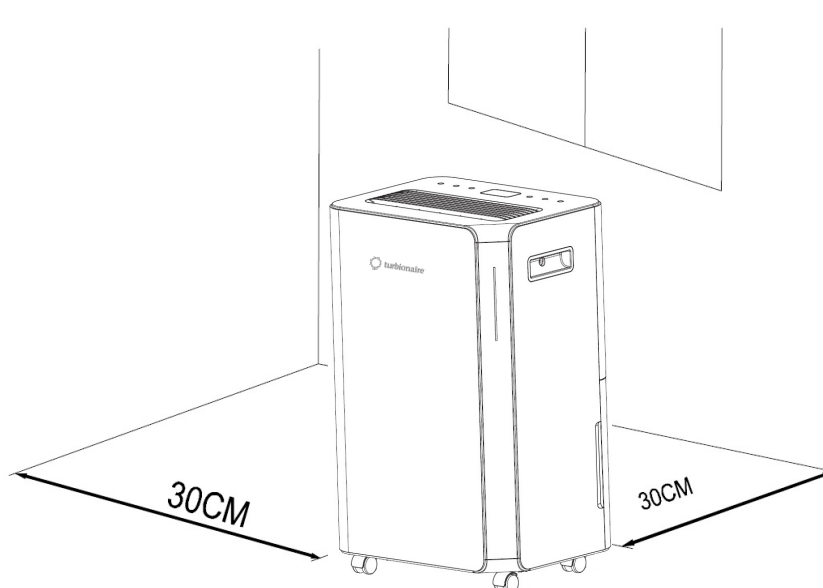
4. INSTALACIÓN

A. UBICACIÓN DEL DESHUMIDIFICADOR

Coloque la unidad sobre una superficie plana y estable y mantenga al menos 30 cm de espacio libre a su alrededor para permitir una circulación de aire adecuada.

Nunca instale la unidad:

- Cerca de fuentes de calor como calefactores, radiadores, estufas u otros dispositivos que producen calor.
- En una zona donde se puede salpicar aceite o agua
- En la luz directa del sol
- En una zona con vibraciones o choques mecánicos
- En una zona con exceso de polvo
- En una zona no ventilada, como el armario o la biblioteca
- En una superficie desigual





ATENCIÓN

Instale la unidad en habitaciones superiores a 4 m².
No instale la unidad en un lugar donde pueda haber fugas de gas inflamable.



NOTA

El fabricante puede proporcionar otro ejemplo apropiado o proporcionar información adicional sobre el olor del refrigerante.

B. USO SEGURO DEL DISPOSITIVO

- Después de desempacar, compruebe si hay daños o arañazos en la unidad.
- Utilice esta unidad a una temperatura ambiental entre 5 ° C y 38 ° C.
- No utilice el deshumidificador en el exterior. Este deshumidificador está diseñado únicamente para ser utilizado en espacios residenciales.
- No utilice el deshumidificador cerca de paredes, cortinas u otros objetos que puedan bloquear la entrada y evacuación del aire.
- Mantenga libres de obstáculos los orificios de admisión y evacuación del aire.
- Si se inclinó en un ángulo superior a 45o, deje que la unidad se ponga en posición vertical durante al menos 24 horas antes de arrancar.
- Mantenga las puertas y las ventanas cerradas para una mejor eficiencia del deshumidificador.
- No utilice ni almacene la unidad bajo la luz solar directa o bajo la lluvia.
- Es normal que la salida de aire se caliente después de un funcionamiento continuo en días cálidos.
- Vacíe el depósito de agua antes de mover el deshumidificador.
- Asegúrese de que el tanque de agua esté montado correctamente, de lo contrario la unidad no funciona adecuadamente.
- El deshumidificador arranca en el modo seleccionado durante el último uso.
- El deshumidificador comienza a deshumidificar el aire en la habitación si la humedad es 3% mayor que el valor seleccionado.
- El compresor está equipado con un sistema de protección que retrasa el arranque por 3 minutos. Por lo tanto, tendrá que esperar por 3 minutos para que el deshumidificador reanude el proceso de deshumidificación.

5. FUNCIONAMIENTO

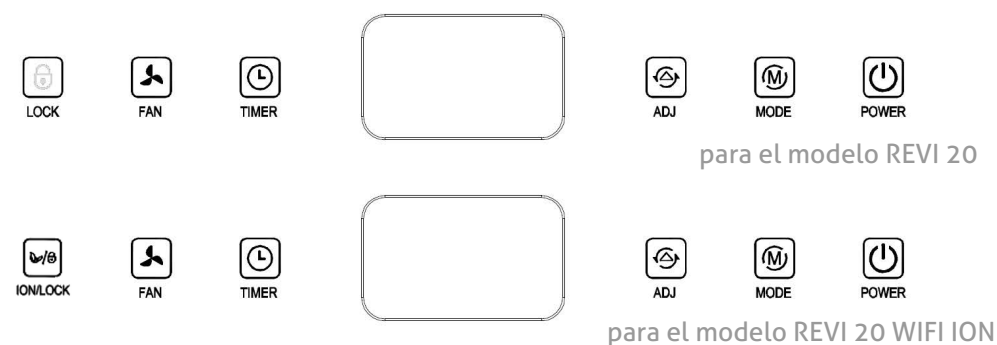
Cuando el nivel de humedad ambiental sea $\leq 45\%$, el indicador LED del nivel de humedad mostrará el color AZUL

$45\% < \text{Nivel de humedad ambiental} < 65\%$: el indicador LED del nivel de humedad mostrará el color VERDE

Nivel de humedad ambiental $\geq 65\%$: el indicador LED del nivel de humedad indicador mostrará el color ROJO

Cuando la pantalla digital muestra un código de error, el indicador LED del nivel de humedad mostrará el color ROJO

Panel de control



Botón POWER: toque este botón para encender o apagar la unidad.

Botón MODO: toque este botón para elegir el modo Automático, Reposo o Secado continuo.

Botón HUM: toque este botón para ajustar el nivel de humedad y elegir la hora del temporizador.

Botón TIMER: toque este botón para establecer una hora para que la unidad se inicie o se detenga automáticamente.

Para activar WiFi, toque el **botón TIMER** durante al menos 5 segundos. El indicador WiFi en la pantalla comenzará a parpadear. *(para el modelo REVI 20 WiFi ION)*

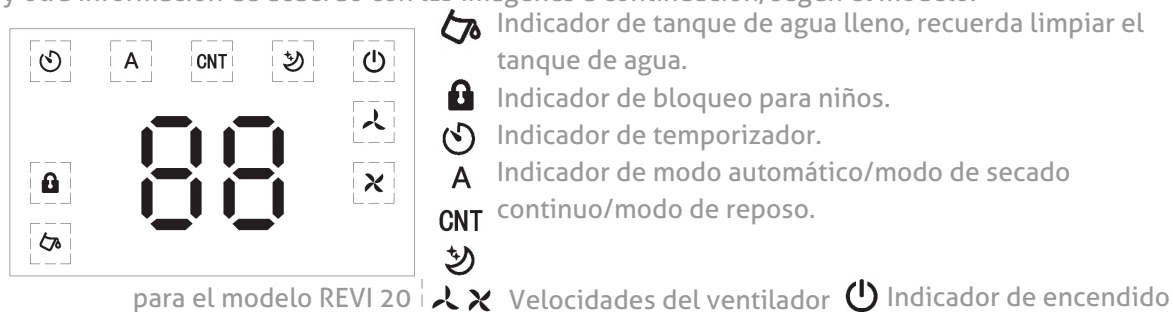


NOTA: Para utilizar la función WiFi, consulte las instrucciones al final de este manual de usuario.

Botón FAN: toque este botón para seleccionar la velocidad del ventilador entre alta y baja. **Botón ION/LOCK (para el modelo Revi 20 WiFi ION):** presione el botón ION/LOCK para iniciar la función de purificación de aire. Mantenga presionado este botón durante 3 segundos para activar o desactivar la función de bloqueo para niños.












Botón LOCK (para el modelo Revi 20): toque este botón para activar o desactivar la función de bloqueo para niños.

Pantalla digital - muestra el valor de humedad, la configuración del temporizador, la temperatura y otra información de acuerdo con las imágenes a continuación, según el modelo.





para el modelo REVI 20 WIFI ION

-  Indicador de tanque de agua lleno, recuerda limpiar el tanque de agua.
-  Indicador de bloqueo para niños.
-  Indicador de purificación de aire ionizador
-  Indicador de temporizador.
-    Modo automático/ Modo de secado continuo/ Modo de suspensión
-  Indicador de encendido
-   Velocidades del ventilador indicador
-  Wifi indicator




POWER

En modo de espera, presione el botón de encendido para encender, el indicador de funcionamiento se ilumina y la velocidad predeterminada del ventilador es alta y la humedad predeterminada es del 50 %. En el estado de encendido, presione el botón de encendido para apagar, la luz indicadora de funcionamiento se apaga y el compresor se detiene inmediatamente, y luego el ventilador se apaga después de 30 segundos de retraso.




MODE

Toque la tecla de modo para cambiar entre modo automático, reposo y secado.

- Modo automático: cuando la humedad ambiental \geq establece la humedad en 3%, el ventilador comienza a funcionar y el compresor comienza a funcionar después de 3 segundos. Cuando la humedad ambiental \leq establece la humedad -3%, el compresor deja de funcionar y el ventilador deja de funcionar después de 30 segundos de retraso.
- Toque el botón ADJ  para ajustar el nivel de humedad del 30 % al 80 % en modo automático.
- Tanto la velocidad del ventilador como la humedad se pueden ajustar en el modo automático.
- Modo de secado (modo continuo): la unidad continúa funcionando, la velocidad del ventilador se puede ajustar, la humedad no se puede ajustar.
- Modo de suspensión: toque el botón de suspensión, el botón se ilumina y comienza la función de suspensión, la humedad predeterminada es del 60%. Si el panel de control no se opera en 10 segundos, todos los indicadores se apagan gradualmente y la velocidad del ventilador cambia automáticamente de alta a baja. Toque el botón SLEEP nuevamente para salir del modo de suspensión. Tanto la velocidad del ventilador como la humedad se pueden ajustar en el modo de suspensión. Toque el botón MODE nuevamente para salir del modo SLEEP.



TIMER

Toque el botón del temporizador para configurar la función de tiempo de 00-24 horas. El panel de visualización "88" parpadea y mostrará la hora del temporizador, toque el botón ADJ , el valor aumenta 1 hora, el valor se muestra en la pantalla de visualización "88". En el estado de funcionamiento, utilice la función de temporizador para apagar la unidad con regularidad. tiempo a "00" para cancelar la función de temporización.



FAN SPEED

Ventilador alto - ciclo de ventilador bajo, toque el botón una vez para cambiar y luego se enciende el indicador correspondiente. En el modo de secado continuo y el período de descongelación, la velocidad del ventilador no se puede cambiar.



ION/LOCK

Botón ION/LOCK (*para el modelo Revi 20 WIFI ION*): presione el botón ION/LOCK para iniciar la función de purificación de aire. Mantenga presionado este botón durante 3 segundos para activar o desactivar la función de bloqueo para niños.



LOCK

Botón LOCK (*para el modelo Revi 20*): toque este botón para activar o desactivar la función de bloqueo para niños.

Alarma de tanque de agua lleno/Indicador de tanque de agua

Cuando el depósito está lleno, pone la alarma durante 5 segundos. El indicador LED de tanque lleno se vuelve rojo

Borrar la alarma

- Cuando el zumbido esté encendido, presione cualquier botón para detenerlo. El compresor y el ventilador se apagan y todas las funciones se congelan hasta que el tanque de agua se vacía y vuelve a la posición correcta.

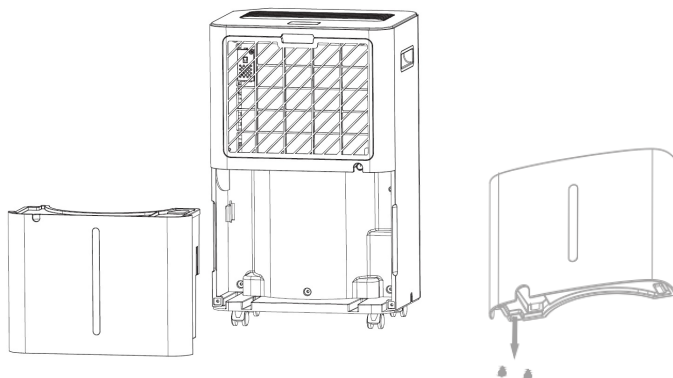
A. Drenaje manual: El depósito de agua, retirado y vaciado manualmente.

B. Drenaje continuo: Fijar al dispositivo una manguera de drenaje gravitacional del agua que resulte de la condensación.

B. Vaciar el tanque

El dispositivo se detendrá tan pronto como el tanque se llene de agua. El deshumidificador volverá a arrancar sólo después de vaciar el tanque de agua y volver a instalarlo correctamente. Cuando el tanque está lleno, el dispositivo emite un sonido acústico, y el indicador LED "Lleno de agua" (Tanque lleno) se encenderá.

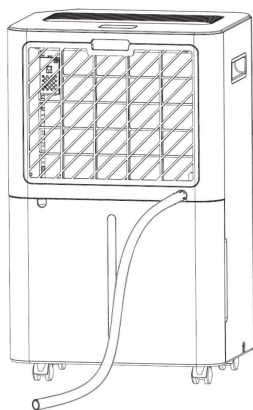
- Pulse el botón PODER para apagar la unidad.
- Tire del tanque de agua y éste saldrá del cuerpo del deshumidificador.
- Vacíe el agua del tanque.
- Limpie el interior del tanque, si es necesario, así como el exterior.
- Vuelva a insertar el tanque vacío en la unidad.
- Pulse el botón PODER para reanudar el funcionamiento del dispositivo.
- Si el indicador correspondiente al tanque lleno sigue encendido, compruebe si el flotador del tanque está en la posición correcta y no está bloqueado en otra posición



C. Drenaje continuo

Para un funcionamiento continuo o deshumidificación desatendida, conecte la manguera de drenaje a la unidad. El agua condensada se drenará libremente, gravitacionalmente, en un cubo o en un drenaje.

- Coloque la unidad sobre una superficie horizontal y estable.
- Apague la unidad antes de drenar el agua



- Conecte la manguera de drenaje correctamente y asegúrese de que no esté obstruida.
- Inserte el borde de evacuación de la manguera en un drenaje o cubo y asegúrese de que el agua pueda fluir libremente de la unidad.
- No sumerja el borde de la manguera en agua, por lo que puede causar "bloqueo del aire" en la manguera.

Para evitar fugas de agua:

- Dado que la presión negativa del recipiente de drenaje del agua condensado es alta, incline la manguera de drenaje, abajo, hacia el suelo. Es necesario que el ángulo de inclinación supere 20°.
- Enderece la manguera para evitar doblarla.

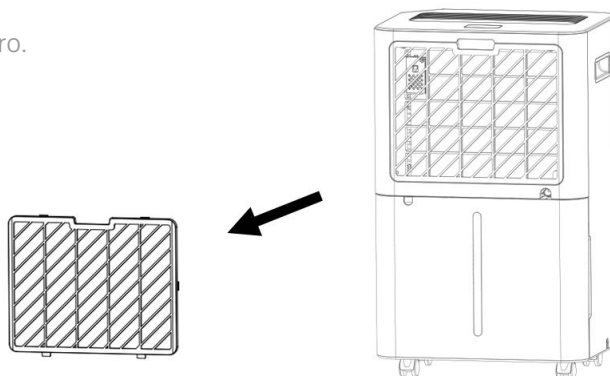
6. MANTENIMIENTO

LIMPIAR EL FILTRO DE AIRE

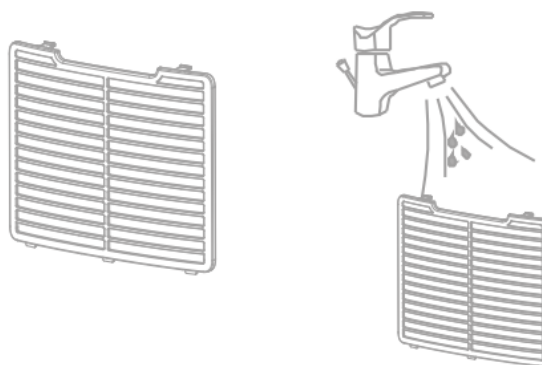
Limpie el filtro al menos una vez cada dos semanas o cuando sea necesario. Las impurezas acumuladas en un filtro sin limpiar pueden ser absorbidas por el ventilador mediante la fijación en el vaporizador, en el condensar y en otros componentes dentro de la unidad, lo que conduce a una disminución en el rendimiento y la ocurrencia de diversas fallas que no son, en este caso, no se sujetan a la garantía.

Si se encuentran depósitos de impurezas dentro de la unidad, póngase en contacto con el servicio autorizado más cercano para una limpieza profesional. No realice operaciones de limpieza interna (excepto limpiar y lavar el filtro lavable) salvo en presencia de personal especializado.

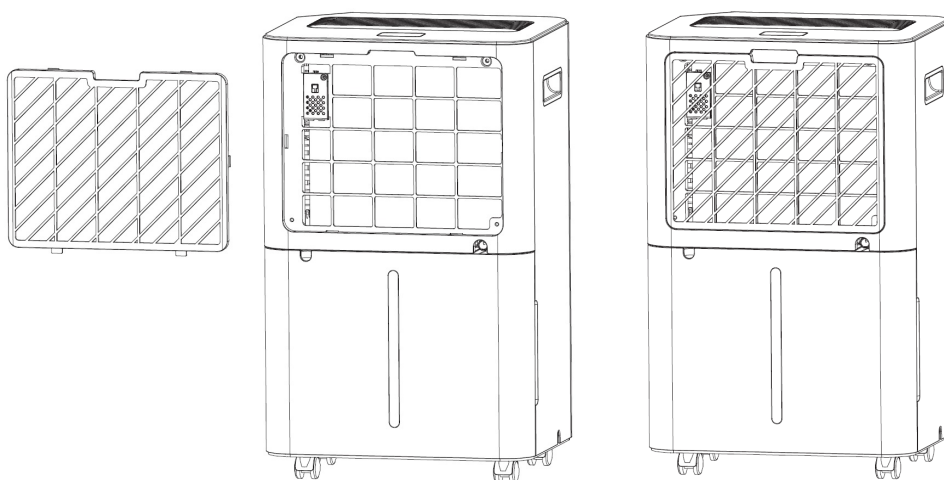
a) Quite la rejilla del filtro y quite el filtro.



b) Use una aspiradora para absorber suavemente el polvo en la superficie del filtro. Remoje el colador en agua tibia a unos 40 grados centígrados. Si el filtro está muy sucio, lávelo con agua y un detergente suave y séquelo bien después.



c) Reemplace el filtro en su lugar detrás del dispositivo.



7. SOLUCIONAR LOS PROBLEMAS

A. TEMPERATURA DE FUNCIONAMIENTO

5°C ≤ Temp. ambiental ≤ 38°C Cuando la temperatura ambiental es menor o superior a la temperatura de funcionamiento, el deshumidificador se apaga.

Cuando 5°C ≤ Temp. ambiental. ≤ 16°C, el compresor se descongela automáticamente a ciertos intervalos; durante la descongelación, el compresor se apaga y el ventilador sigue funcionando.

B. ANTES DE SOLICITAR EL SERVICIO

Antes de ponerse en contacto con el centro de servicio, consulte la lista de posibles problemas que pueden producirse durante el funcionamiento de la unidad y que no son el resultado de un defecto de labor manual o de los materiales utilizados.

Problema	Causas posibles	Solución
El dispositivo no funciona	NO hay poder	Conecte el dispositivo a una toma de corriente y enciéndalo
	El indicador "Water Full" (Tanque lleno) está encendido	Vacíe el tanque de agua y reemplácelo en el lugar correcto.
	Temperatura de la habitación <5°C or >35°C	Sistema de protección instalado para proteger la unidad. La unidad no puede funcionar a este tipo de temperatura.
Funcionamiento defectuoso	Está bloqueado el filtro de aire?	Limpie el filtro de aire como se explica en este manual
	Está bloqueado el orificio de entrada o de evacuación?	Retire cualquier cosa que obstruya el orificio de entrada o de evacuación.
El orificio de entrada de aire no permite que el aire pase	Está bloqueado el filtro?	Lave el filtro
La unidad hace ruidos durante el funcionamiento	La unidad está colocada sobre una superficie horizontal y plana?	Coloque la unidad apropiada
	Está bloqueado el filtro?	Lave el filtro

E1/E2	Problemas con el sensor de humedad	Coloque la unidad apropiada
LO	El nivel de humedad en la habitación ha disminuido bajo 20%	El deshumidificador se detiene automáticamente para protegerse
HI	El nivel de humedad en la habitación ha excedido 90%	
CL	Protección a baja temperatura, cuando la temperatura de la habitación es de <5°C	
CH	Protección a temperatura alta, cuando la temperatura de la habitación es de >35°C	

8. ELIMINACIÓN

8.1 ALMACENAMIENTO DE LA UNIDAD

Almacenamiento a largo plazo - Si no va a utilizar la unidad durante mucho tiempo (más de unas semanas), le recomendamos que la limpie y seque por completo. Guarde la unidad siguiendo estos pasos:

- Pulse el botón de alimentación para apagar la unidad y desconectarla de la toma de corriente.
- Escorra el agua restante en la unidad
- Limpie el filtro y déjelo secar completamente en una zona sin luz.
- Envuelva el cable de alimentación.
- Vuelva a instalar el filtro en la posición correcta.
- La unidad debe mantenerse en posición vertical cuando se almacena.
- Mantenga el deshumidificador en una habitación ventilada, seca, sin combustibles.

ATENCIÓN: El evaporador dentro del deshumidificador debe secarse antes de su embalaje para evitar dañar los componentes y la aparición de moho. Desconecte la unidad y colóquela en un espacio abierto y seco durante días para que se seque a fondo. Otra forma de secar la unidad es ajustar el nivel de humedad a 5% por encima de la humedad ambiental, para forzar el ventilador a secar el evaporador durante varias horas.

8.2 ELIMINACIÓN



¡ADVERTENCIA! Está estrictamente prohibido dejar que el refrigerante emane en la atmósfera!

No deseche los dispositivos eléctricos como residuos municipales no clasificados, y utilice los espacios de recogida separados. Póngase en contacto con su administración local para obtener información sobre los sistemas de recolección disponibles en la zona. Si los dispositivos eléctricos se descartan junto con la basura doméstica, las sustancias peligrosas pueden infiltrarse en las aguas subterráneas y pueden llegar en la cadena alimenticia, dañando la salud y el bienestar de las personas.

SMARTLIFE- MANUAL DE USUARIO DE LA APP. de REVI 20 WIFI ION

La aplicación "Smart Life" está disponible para Android e iOS. Escanea con tu smartphone el código QR correspondiente para acceder directamente a la descarga.

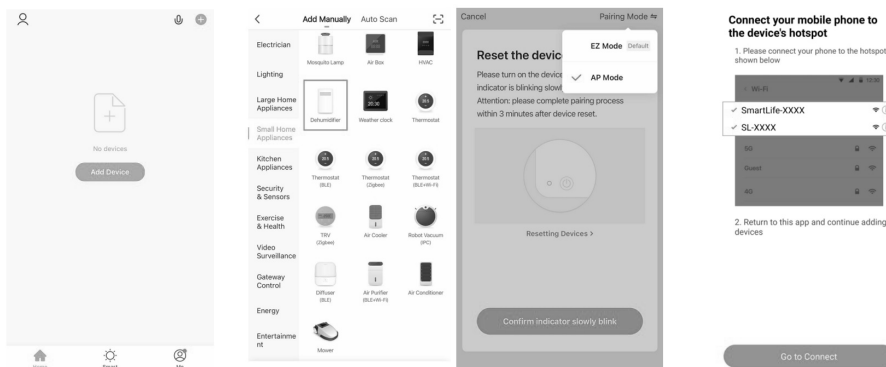


Cómo usar la aplicación

Este aparato le permite operar el aparato a través de su red doméstica WIFI. Un requisito previo es una conexión WIFI permanente a su enrutador y la aplicación gratuita "Smart Life". Recomendamos desconectar el aparato de la fuente de alimentación cuando esté fuera de casa para evitar un encendido involuntario mientras está de viaje.

Puesta en servicio a través de la aplicación

1. Instale la aplicación "Vida inteligente". Cree una cuenta de usuario.
2. Active la función WIFI en la configuración de su electrodoméstico: toque el botón TIMER durante al menos 5 segundos
3. Coloque el aparato a una distancia de unos 5 metros de su enrutador.
4. Siempre que la alimentación esté encendida, el indicador WIFI parpadeará lentamente. Después de 3 minutos, el estado será cancelado si no hay configuración de red, y la luz indicadora está apagada. Si necesita volver a conectar el WIFI, toque largo el botón "TEMPORIZADOR" durante 5 segundos para iniciar la configuración de la red, el indicador WIFI parpadea lentamente.
5. Cuando el indicador WIFI parpadee lentamente, seleccione "Agregar dispositivo"- "Electrodomésticos pequeños"- "Deshumidificador" y siga las instrucciones en la aplicación Smar Life. Seleccione "Modo AP" en la parte superior derecha de la aplicación, elija "Confirmar indicador parpadee lentamente" y presione "Ir a Conectar" para conectar el WIFI llamado "SmartLife-XXXX".
- 6 Si el indicador WIFI parpadea rápidamente, se puede conectar directamente.
7. Una vez que el aparato se haya conectado con éxito, la lámpara WIFI se enciende. Ahora puede operar el aparato usando la aplicación.
8. Mantenga pulsado el botón TIMER durante unos 5 segundos, el aparato se desconectará y el indicador WIFI se apagará.



SOLUCIÓN DE PROBLEMAS

Falló la conexión a la red	Solución
Tiempo de espera de conexión de red	<ol style="list-style-type: none">1. Compruebe si selecciona el WIFI llamado "SmartLife-XXXX".2. Apague la máquina y desconecte el código de alimentación y el complemento después de 10 segundos, ingrese a la aplicación para conectarse nuevamente.
Indicador WIFI apagado	Mantenga presionado el botón "Temporizador" o apague la máquina y desconecte el código de alimentación y el complemento después de 10 segundos.
El punto de acceso WIFI desaparece y la luz WIFI parpadea	Apague la máquina y desconecte el código de alimentación y el complemento después de 10 segundos, ingrese a la aplicación para conectarse nuevamente.

FR: TABLE DES MATIÈRES

1.	NOTIONS PRELIMINAIRES	75
2.	INSTRUCTIONS DE SÉCURITÉ	76
3.	PRESENTATION DU PRODUIT	80
4.	INSTALLATION	82
5.	FONCTIONNEMENT	84
6.	ENTRETIEN	87
7.	DÉPANNAGE	89
8.	ELIMINATION	90
9.	SMART LIFE APP - Manuel de l'Utilisateur	91

Merci d'avoir choisi notre déshumidificateur.

Assurez-vous à lire attentivement ce manuel avant d'utiliser le déshumidificateur

Veillez conserver ce manuel avec soin pour future référence!

1. NOTIONS PRELIMINAIRES

Nous vous prions lire attentivement les instructions d'utilisation avant de démarrer le déshumidificateur pour la première fois.

A. DESCRIPTION DU PRODUIT

Le déshumidificateur est utilisé pour éliminer l'excès d'humidité de l'air. L'abaissement du niveau d'humidité protège les bâtiments et les objets se trouvant à l'intérieur des effets néfastes de l'humidité.

Le produit R290 est écologique et utilisé comme réfrigérant. Le R290 n'a pas d'influence négative sur la couche d'ozone (ODP) ou effet de serre (GWP) et il est disponible au niveau mondial. En raison de ses propriétés énergétiques efficaces, le R290 convient très bien comme agent de refroidissement dans cette situation. Cependant, des précautions spéciales doivent être prises en compte en raison du niveau élevé d'inflammabilité du réfrigérant.

B. SYMBOLES UTILISÉS SUR L'UNITÉ ET DANS LE MANUEL



AVERTISSEMENT

Cet appareil utilise du réfrigérant.

Si le réfrigérant fuit et entre en contact avec une source de flamme ou de chaleur, il va créer des gaz nocifs et il y a un risque d'incendie.



Lisez attentivement le manuel d'instructions avant d'utilisation.



Des informations complémentaires sont disponibles dans le MANUEL D'UTILISATEUR et le MANUEL DE SERVICE.



Avant de mettre en service l'appareil, les personnes chargées des opérations de maintenance doivent lire attentivement le MANUEL D'UTILISATEUR et le MANUEL DE MAINTENANCE.

C. DONNEZ TOUT LE TEMPS L'ATTENTION AUX INFORMATIONS CI-DESSOUS

- Cet appareil est destiné aux utilisateurs experts et formés des magasins, d'industrie légère, des exploitations agricoles et aux utilisateurs domestiques.
- Ce dispositif peut être utilisé par des enfants de plus de 8 ans et des personnes ayant des capacités physiques, sensorielles ou mentales réduites ou un manque d'expérience et de connaissances, à condition qu'ils soient sous la surveillance de personnes adultes

responsables de leur sécurité ou s'ils reçoivent des instructions en ce qui concerne comment l'unité devrait être utilisée.

- Cet appareil n'est pas un jouet. Les enfants de moins de trois ans doivent être surveillés en permanence et tenus à l'écart de celui-ci.
- Le nettoyage et la maintenance de l'appareil ne doivent pas être effectués par des enfants.
- L'unité est conçue uniquement pour être utilisée avec le gaz R290 (propane) en tant que réfrigérant désigné.
- Le circuit de refroidissement est scellé. Seulement des personnes qualifiées peuvent effectuer des réparations sur le circuit de refroidissement.
- Ne pas rejeter le réfrigérant dans l'atmosphère.
- R290 (propane) est inflammable et plus lourd que l'air.
- R290 peut être identifié au niveau du sol, mais peut également être distribué par un ventilateur.
- Si vous soupçonnez la présence de gaz propane, ne permettez pas à des personnes non qualifiées d'essayer de réparer l'installation.
- Le gaz propane utilisé dans l'installation de cet appareil n'a pas d'odeur.
- Le manque d'odeur n'indique pas le manque de gaz évacué. Si une fuite est détectée, évacuez immédiatement tout le monde dans la zone, ventilez la chambre et contactez les pompiers pour les avertir des fuites de propane.
- Ne laissez personne revenir dans la chambre avant que le technicien n'arrive et donne sa recommandation concernant la sécurité du retour dans la zone touchée.
- N'utilisez pas de flammes ouvertes, de cigarettes ou d'autres sources inflammables possibles à l'intérieur ou au voisinage de l'appareil.
- Les composants sont spécialement conçus pour être utilisés avec du propane gaz. Les composants ne sont remplacés que par des pièces de rechange identiques.

LA DEFAILLANCE DES INSTRUCTIONS DE SÉCURITÉ PEUT AUGMENTER LE RISQUE D'EXPLOSION, DE MORT, DE BLESSURES ET DE DOMMAGES MATÉRIELS.

2. INSTRUCTIONS DE SÉCURITÉ

Votre sécurité est la chose la plus importante pour nous!




Veuillez lire attentivement ce manuel avant d'utiliser le déshumidificateur.


A. AVERTISSEMENTS CONCERNANT LE FONCTIONNEMENT DE L'APPAREIL

Avertissements concernant les risques d'incendie, de choc électrique, de blessure corporelle ou de dégât matériel:

- Si le câble d'alimentation est endommagé, il doit être remplacé par le fabricant, son agent de service ou un personnel qualifié pour éviter tout danger.
- Le niveau de pression acoustique pondéré A est inférieur à 36 dB.
- Lors des opérations de maintenance, l'appareil doit être débranché de la source d'alimentation.
- Connectez toujours l'appareil à une source de tension, fréquence et puissance correspondant à celles indiquées sur la plaque d'identification du produit.
- Utilisez toujours une prise mise à la terre.
- Débranchez le câble d'alimentation lors du nettoyage de l'appareil ou lorsqu'il n'est pas utilisé.
- Ne pas utiliser la machine avec les mains mouillées. Ne laissez pas d'eau pénétrer dans l'appareil.
- N'immergez pas l'appareil dans l'eau et ne l'exposez pas à la pluie, à l'humidité ou à toute autre source de liquide.
- Ne laissez pas l'appareil sans surveillance pendant qu'il fonctionne. Ne l'inclinez pas et ne le renversez pas.
- Ne débranchez pas l'appareil pendant qu'il fonctionne.
- Ne débranchez pas en tirant le câble d'alimentation.
- N'utilisez pas de rallonge ni d'adaptateur.
- Ne placez pas d'objets sur l'appareil.
- Ne montez pas et ne vous asseyez pas sur l'appareil.
- N'insère pas les doigts ou d'autres objets dans la sortie d'air.
- Ne touchez pas la sortie d'air ni les fentes en aluminium de l'appareil.
- N'utilisez pas l'appareil s'il est tombé, s'il a été endommagé ou s'il présente des signes de dysfonctionnement.
- Ne nettoyez pas l'appareil avec des produits chimiques.
- Assurez-vous que l'appareil reste à l'écart du feu, des objets inflammables ou explosifs.
- L'appareil doit être installé conformément aux réglementations nationales relatives aux systèmes de câblage.
- N'utilisez pas d'autres moyens pour accélérer le processus de dégivrage ou de nettoyage que ceux recommandés par le fabricant.
- L'appareil doit être rangé dans une pièce dépourvue d'appareils fonctionnant en continu (par exemple: flamme ouverte, appareil à gaz ou appareil de chauffage électrique).
- L'appareil doit être stocké de manière à éviter sa détérioration.
- Ne démontez pas et ne jetez pas l'appareil, même après utilisation.
- Sachez que les agents de réfrigération n'ont pas d'odeur.
- Les tuyaux de l'appareil doivent être protégés contre les dommages physiques et ne doivent pas être installés dans un espace non ventilé, si cet espace est inférieur à 4 m².

- Se conformer à la réglementation nationale sur le gaz.
- Gardez les orifices de ventilation libres de tout obstacle.
- L'appareil doit être rangé dans un endroit bien ventilé, où la taille de la chambre correspond aux conditions spécifiées, pour un fonctionnement correct.

 Toute personne travaillant sur un circuit de réfrigération doit détenir un certificat valide délivré par une autorité d'évaluation accréditée, attestant de sa compétence pour manipuler les réfrigérants en toute sécurité, conformément aux spécifications reconnues dans l'industrie concerné.

 Les réparations de l'installation doivent être effectuées conformément aux recommandations du fabricant. L'entretien et les réparations nécessitent l'assistance d'un personnel qualifié et ils sont effectués sous la supervision d'une personne compétente dans l'utilisation de réfrigérants inflammables.

Si vous rencontrez des problèmes que vous ne comprenez pas ou si vous avez besoin d'aide, veuillez contacter les services du revendeur agréé.

B. PRÉCAUTIONS DE SÉCURITÉ CONCERNANT LES RÉPARATIONS

Veillez tenir compte de ces avertissements avant de procéder à la maintenance d'un déshumidificateur R290.

i. Vérifications au voisinage du dispositif

Avant de commencer à travailler sur des systèmes contenant des réfrigérants inflammables, ils sont nécessaires des contrôles de sécurité pour réduire au minimum le risque d'inflammation. Pour la réparation du système de réfrigération, les précautions suivantes seront suivies avant d'effectuer les travaux sur le système.

ii. Procédure de travail

Les travaux sont effectués conformément à une procédure contrôlée, de manière à minimiser les risques d'apparition de gaz ou de vapeurs inflammables pendant les travaux.

iii. Zone de travail

Tout le personnel de maintenance et les autres personnes travaillant dans les voisinages doivent être formés en ce qui concerne la nature des travaux effectués. Évitez de travailler dans des espaces confinés. La zone autour de l'espace de travail est délimitée. Assurez-vous que les espaces dans la zone ont été sécurisés en contrôlant les matériaux inflammables.

iv. Vérification de la présence de l'agent éfrigérant

La zone doit être vérifiée avec un détecteur de réfrigérant approprié avant et pendant le travail pour assurer la présence de matériaux potentiellement inflammables. Assurez-vous que l'équipement de détection de fuites utilisé est adapté à l'identification des réfrigérants inflammables, ne déclenche pas d'étincelles et qu'il est correctement scellé.

v. Présence d'extincteur d'incendies

S'il est effectué du travail à chaud sur l'équipement de réfrigération ou sur toute partie de celui-ci, il doit être disponible un équipement d'extinction d'incendie adéquat. Assurez-vous de disposer d'un extincteur à poudre sèche ou à CO₂ à la proximité.

vi. Sans sources d'allumage

Aucune personne effectuant des travaux dans un système de réfrigération et exposée à un réfrigérant inflammable ne doit utiliser aucune source d'inflammation afin d'éviter tout risque d'incendie ou d'explosion. Toutes les sources possibles d'inflammation, y compris le tabagisme, doivent être éloignées du lieu d'installation, de réparation, de démontage et d'élimination, dans les lieux où un réfrigérant inflammable peut être libéré. Avant de procéder aux travaux, il convient de vérifier les alentours de l'installation pour s'assurer qu'il n'y a pas de produits inflammables ou de risques d'inflammation. Sera utilisée la pancarte "Interdiction de fumer".

vii. Zone ventilée

Assurez-vous que la zone de travail est bien ventilée avant de commencer à travailler sur l'installation ou pour effectuer un travail à chaud. La ventilation devrait disperser en toute sécurité tout fluide réfrigérant libéré et de préférence l'expulser de l'extérieur vers l'atmosphère.

viii. Vérifications s à l'installation avec un agent réfrigérant

Si les composants électriques sont remplacés, ils doivent être adaptés à l'utilisation prévue et de respecter les spécifications correctes. Les instructions du fabricant concernant la maintenance et les opérations en ce qui concerne la maintenance doivent être suivies à tout moment. En cas de doute, consultez le service technique du fabricant.

Les contrôles suivants s'appliquent aux installations utilisant des réfrigérants inflammables:

- La taille de la charge est fonction de la taille de la chambre dans laquelle sont installés les composants contenant le réfrigérant;
- Les appareils de ventilation et les événements fonctionnent correctement et ne sont pas obstrués;
- Si un circuit de réfrigération indirect est utilisé, le circuit secondaire doit être vérifié pour la présence de réfrigérant;
- Les marques de l'équipement de travail seront visibles et lisibles. Toute marque et tout signe illisibles seront corrigés;
- l'installation de réfrigérant ou ses composants sont placés de telle sorte qu'ils ne puissent être exposés à aucune substance corrosive, à moins que les composants ne soient construits avec des matériaux intrinsèquement résistants à la corrosion ou protégés de manière adéquate.

ix. Contrôle des appareils électriques

La réparation et l'entretien des composants électriques doivent inclure des contrôles de sécurité initiaux et des procédures d'inspection des composants. En cas de défaut pouvant compromettre la sécurité, l'appareil ne sera pas branché à l'alimentation tant que le défaut n'aura pas été résolu de manière satisfaisante. Si le défaut ne peut pas être corrigé

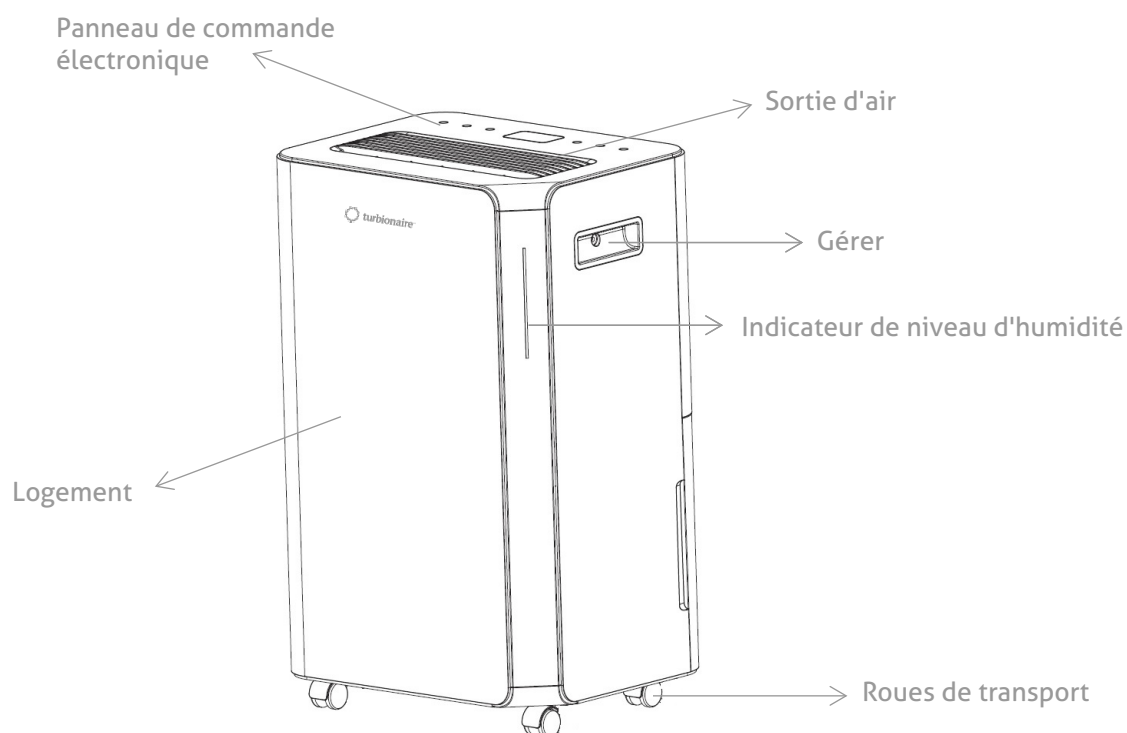
immédiatement, mais qu'il est nécessaire de continuer le fonctionnement, il sera utilisé une solution temporaire appropriée. Ceci est signalé au propriétaire de l'équipement, de sorte que toutes les parties soient conscientes de cette situation.

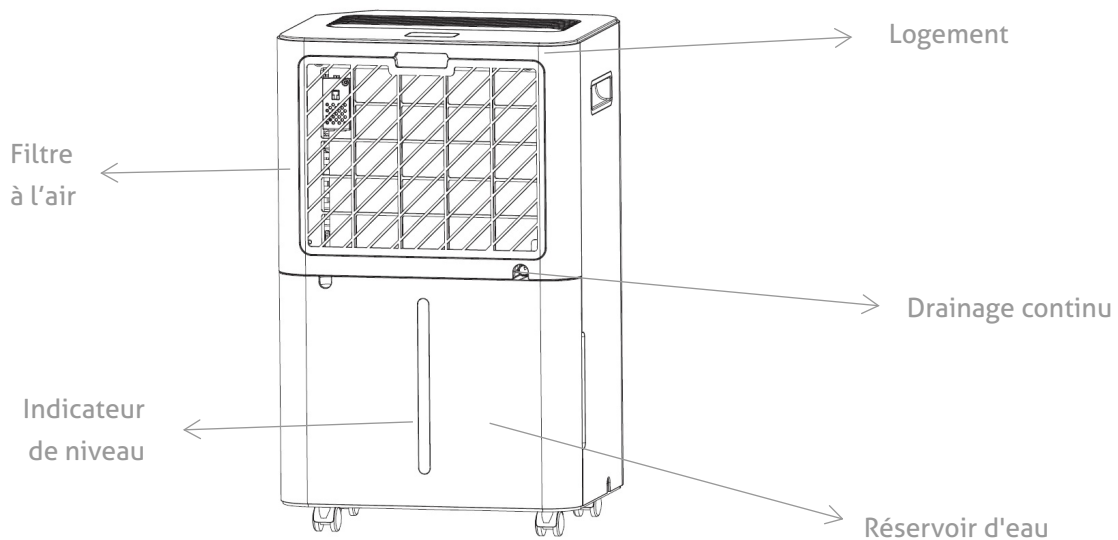
Les contrôles de sécurité initiaux sont effectués lorsque:

- les condensateurs sont déchargés: ceci doit être fait en toute sécurité pour éviter la formation d'étincelles;
- les composants électriques et les câbles ne sont pas sous tension, même pendant le chargement, la récupération ou la purge du système;
- il y a une continuité de la connexion à la terre.

3. PRESENTATION DU PRODUIT

A. VUE AVANT ET ARRIÈRE





B. CARACTÉRISTIQUES

- Powerful Élimination efficace de l'humidité
- Surveillance et affichage de l'humidité actuelle (indicateur LED en couleurs)
- Le mode automatique ajuste automatiquement le niveau d'humidité
- Timer avec l'intervalle de 24 heures pour régler le temps de fonctionnement
- Il élimine efficacement l'humidité et la poussière de l'air
- Consommation faible d'énergie, efficacité énergétique
- Le ventilateur est silencieux, à deux vitesses
- Dégivrage automatique en cas de fonctionnement à basse température
- Arrêt automatique/redémarrage automatique
- Contrôle électronique
- Connexion WiFi (*pour le modèle REVI 20 WIFI ION*)
- Fonction de purification d'air ioniseur (*pour le modèle REVI 20 WIFI ION*)
- Fonction de séchage du linge
- Mode de drainage continu
- Réservoir d'eau de 4.5l

C. SPÉCIFICATIONS TECHNIQUES

MODÈLE	REVI 20/ 20 WIFI ION
cCapacité de déshumidification	20L/ jour (30°C, 80%)
Source de courant	AC220-240V/50Hz
Consommation d'énergie	330W/2.3A

Bruit	≤41dB(A)
Capacité du réservoir d'eau	4.5L
Poids net	13.5kg
Taille minimale de la pièce	4 m ² (superficie de plancher)
Dimension	305x235x495 mm

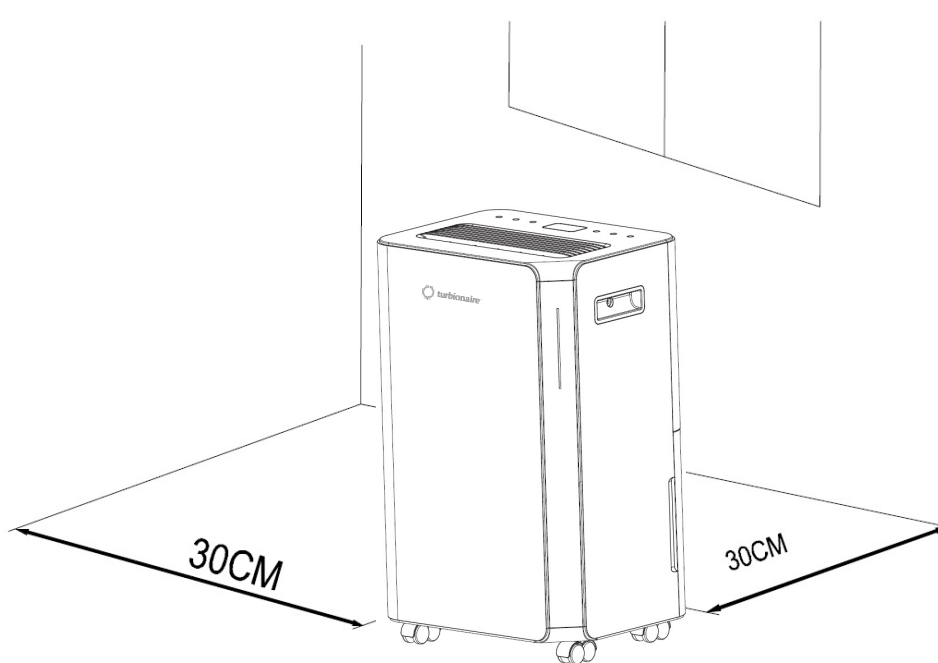
4. INSTALLATION

A. EMBLACEMENT DU DESHUMIDIFICATEUR

Placez l'appareil sur une surface stable et plane et laissez au moins 30 cm d'espace libre autour de lui pour permettre une circulation d'air adéquate.

N'installer jamais l'unité :

- À côté de sources de chaleur telles que chaudière, radiateurs, poêles ou des autres appareils générant de la chaleur.
- Dans une zone où peut être éclaboussé de l'huile ou de l'eau
- En plein soleil
- Dans une zone de vibrations ou de chocs mécaniques
- Dans une zone de poussière excessive
- Dans une zone non ventilée, telle qu'un placard ou une bibliothèque
- Sur une surface inégale





ATTENTION

Installez l'unité dans des pièces dépassant 4 m².
N'installez pas l'unité dans un endroit où des gaz inflammables peuvent fuir.



NOTE

Le fabricant peut fournir un autre exemple approprié ou fournir des informations supplémentaires sur l'odeur du réfrigérant.

B. UTILISATION EN TOUTE SÉCURITÉ DE L'APPAREIL

- Après le déballage, vérifiez si l'appareil est endommagé ou rayé.
- Utilisez cette unité à une température ambiante comprise entre 5 ° C et 38 ° C.
- N'utilisez pas le déshumidificateur à l'extérieur. Ce déshumidificateur est destiné à un usage résidentiel uniquement.
- N'utilisez pas le déshumidificateur à la proximité de murs, rideaux ou autres objets pouvant obstruer l'entrée et la sortie d'air.
- Gardez les ports d'entrée et de sortie sans d'obstacles.
- Si elle a été inclinée à un angle supérieur à 45°, laissez l'unité debout pendant au moins 24 heures avant de démarrer.
- Gardez les portes et les fenêtres fermées pour une meilleure efficacité du déshumidificateur.
- N'utilisez pas et ne stockez pas l'unité à la lumière directe du soleil ou sous la pluie.
- Il est normal que la sortie d'air se réchauffe après un fonctionnement continu pendant les journées chaudes
- Videz le réservoir d'eau avant de déplacer le déshumidificateur.
- Assurez-vous que le réservoir d'eau est correctement monté, sinon l'unité ne fonctionnera pas correctement.
- Le déshumidificateur démarre dans le mode sélectionné lors de la dernière utilisation.
- Le déshumidificateur commence à déshumidifier l'air de la chambre si le taux d'humidité est supérieur de plus de 3% à la valeur sélectionnée.
- Le compresseur est équipé d'un système de protection qui retarde le démarrage avec 3 minutes. Ainsi, vous devrez attendre 3 minutes pour que le déshumidificateur reprenne le processus de déshumidification.

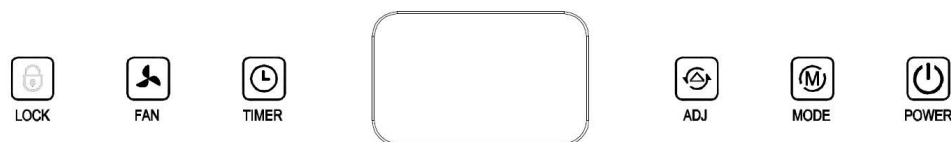
5. FONCTIONNEMENT

Panneau de commande

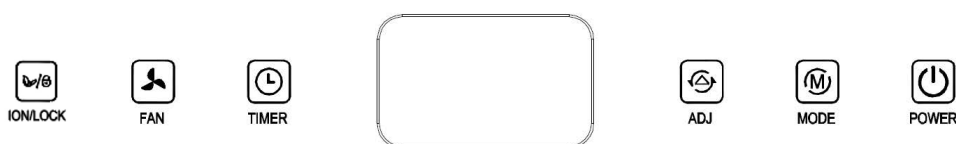
Lorsque le niveau d'humidité ambiante est $\leq 45\%$, l'indicateur LED du niveau d'humidité affichera la couleur BLEUE

$45\% < \text{Niveau d'humidité ambiante} < 65\%$: l'indicateur LED du niveau d'humidité affichera VERT

Niveau d'humidité ambiante $\geq 65\%$: l'indicateur de niveau d'humidité LED affichera la couleur ROUGE. Lorsque l'affichage numérique affiche un code d'erreur, l'indicateur LED du niveau d'humidité affiche la couleur ROUGE



pour le modèle REVI 20



pour le modèle REVI 20 WIFI ION

Bouton POWER - Touchez ce bouton pour allumer ou éteindre l'appareil.

Bouton MODE - Appuyez sur ce bouton pour choisir le mode Auto, Veille ou Séchage continu.

Bouton HUM - Appuyez sur ce bouton pour régler le niveau d'humidité et choisir l'heure de la minuterie.

Bouton TIMER - Appuyez sur ce bouton pour régler une heure à laquelle l'appareil démarre ou s'arrête automatiquement. Pour **activer le Wi-Fi**, appuyez sur le **bouton TIMER** pendant au moins 5 secondes. L'indicateur Wi-Fi sur l'écran commencera à clignoter (*pour le modèle REVI 20 WiFi ION*)



REMARQUE : Pour utiliser la fonction WiFi, consultez les instructions à la fin de ce manuel d'utilisation.

Bouton FAN - Appuyez sur ce bouton pour sélectionner la vitesse du ventilateur entre haute et basse.

Bouton ION/LOCK (pour le modèle Revi 20 WiFi ION) - Appuyez sur le bouton ION/LOCK pour démarrer la fonction de purification de l'air. Appuyez longuement sur ce bouton pendant 3 secondes pour activer ou désactiver la fonction de verrouillage enfant.

Bouton LOCK (pour le modèle Revi 20) - Appuyez sur ce bouton pour activer ou désactiver la fonction de verrouillage enfant.

Affichage numérique - Affiche la valeur d'humidité, le réglage de la minuterie ou la température. Indicateur d'affichage



pour le modèle REVI 20

- Indicateur de réservoir d'eau plein, rappelez-vous de nettoyer le réservoir d'eau.
- Indicateur de sécurité enfant.
- Indicateur de minuterie.
- Mode automatique/mode de séchage continu/indicateur de mode veille.
- Vitesses du ventilateur
- Indicateur d'alimentation



pour le modèle REVI 20 WIFI ION

- Indicateur de réservoir d'eau plein, rappelez-vous de nettoyer le réservoir d'eau
- Indicateur de sécurité enfant
- Ioniseur Indicateur de purification d'air
- Indicateur de minuterie
- Mode automatique/mode séchage continu/mode veille
- Indicateur d'alimentation
- Indicateur de vitesse de ventilateur faible/élevée
- Indicateur Wi-Fi



POWER

POWER En veille, appuyez sur le bouton d'alimentation pour allumer, le voyant de fonctionnement s'allume et la vitesse du ventilateur par défaut est élevée, et l'humidité par défaut est de 50 %. À l'état de mise sous tension, appuyez sur le bouton d'alimentation pour éteindre, le voyant de fonctionnement s'éteint et le compresseur s'arrête immédiatement, puis le ventilateur s'éteint après un délai de 30 secondes.



MODE

MODE Touch the mode key to switch between automatic, Sleep and dry mode.

- Mode automatique : lorsque l'humidité ambiante \geq régler l'humidité sur 3 %, le ventilateur commence à fonctionner et le compresseur commence à fonctionner après 3 secondes. Lorsque l'humidité ambiante \leq régler l'humidité -3%, le compresseur s'arrête de fonctionner et le ventilateur s'arrête de fonctionner après un délai de 30secondes.

Appuyez sur le bouton ADJ: pour régler le niveau d'humidité de 30 % à 80 % en mode automatique.

La vitesse du ventilateur et l'humidité peuvent être réglées en mode automatique.

- Mode de séchage (mode continu) : L'unité continue de fonctionner, la vitesse du ventilateur peut être ajustée, l'humidité ne peut pas être ajustée.
- Mode veille: appuyez sur le bouton de veille, le bouton s'allume et démarre la fonction de veille, l'humidité par défaut est de 60%. Si le panneau de commande n'est pas utilisé dans les 10 secondes, tous les voyants s'éteignent progressivement et la vitesse du ventilateur passe automatiquement de haute à basse. Appuyez à nouveau sur le bouton SLEEP pour quitter le mode veille. La vitesse du ventilateur et l'humidité peuvent être ajustées en mode veille. Appuyez à nouveau sur le bouton MODE pour quitter le mode SLEEP.



TIMER

TIMER Appuyez sur le bouton de la minuterie pour régler la fonction de synchronisation de 00 à 24 heures. Panneau d'affichage "88" clignote et affiche l'heure de la minuterie, appuyez sur le bouton ADJ , la valeur augmente de 1 heure, la valeur affichée sur l'écran d'affichage « 88 ». Dans l'état de fonctionnement, utilisez la fonction de minuterie pour éteindre l'appareil régulièrement. Réglez l'heure sur "00" pour annuler la fonction de temporisation.



ION/LOCK

Bouton ION/LOCK - (pour le modèle Revi 20 WIFI ION) - Appuyez sur le bouton ION/LOCK pour démarrer la fonction de purification de l'air. Appuyez longuement sur ce bouton pendant 3 secondes pour activer ou désactiver la fonction de verrouillage enfant.



CHILD-LOCK (LOCK) - (pour le modèle Revi 20)

Appuyez longuement sur le bouton de verrouillage enfant pour activer ou désactiver la fonction de verrouillage enfant.



VITESSE DU VENTILATEUR

Ventilateur haut - cycle de ventilateur bas, appuyez une fois sur le bouton pour basculer, puis sur le l'indicateur correspondant s'allume. En mode de séchage continu et en période de dégivrage, la vitesse du ventilateur ne peut pas être modifiée.

Alarme de réservoir d'eau plein/indicateur de réservoir d'eau

Lorsque le réservoir est plein, il règle l'alarme pendant 5 secondes. L'indicateur LED du réservoir plein devient rouge

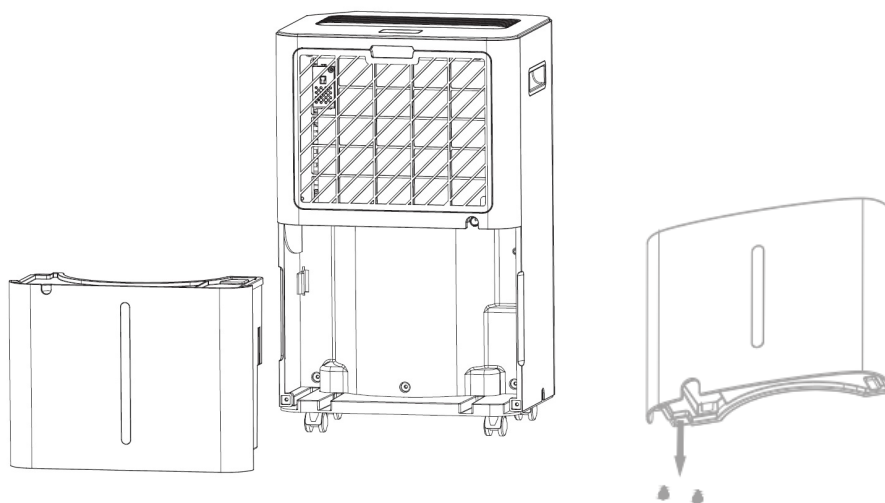
- Effacer l'alarme

Lorsque le buzz est activé, appuyez sur n'importe quel bouton pour l'arrêter. Le compresseur et le ventilateur s'arrêtent et toutes les fonctions gèlent jusqu'à ce que le réservoir d'eau soit vidé et remis dans la bonne position.

B. Vider le réservoir

L'unité s'arrêtera dès que le réservoir sera rempli d'eau. Le déshumidificateur ne redémarrera qu'après avoir vidé le réservoir d'eau et l'avoir réinstallé correctement. Lorsque le réservoir est plein, l'appareil émet un son acoustique et l'indicateur LED "Full Water" (réservoir plein) s'allume.

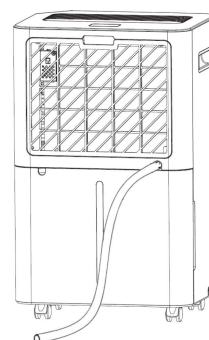
- Appuyez sur le bouton POWER pour éteindre l'unité.
- Retirez le réservoir d'eau et il sortira du corps du déshumidificateur.
- Videz l'eau du réservoir.
- Nettoyez l'intérieur du réservoir si nécessaire, et aussi l'extérieur.
- Insérez le réservoir vide dans l'unité.
- Appuyez sur le bouton POWER pour reprendre le fonctionnement de l'appareil.
- Si l'indicateur du réservoir plein reste allumé, vérifiez que le flotteur du réservoir est dans la bonne position et qu'il n'est pas verrouillé dans une autre position



C. Drainage continu

Pour un fonctionnement continu ou une déshumidification sans surveillance, veuillez connecter le tuyau de vidange à l'unité. L'eau condensée s'écoulera librement, par gravitation, dans un seau ou un drain.

- Placez l'unité sur une surface horizontale et stable.
- Arrêter l'unité avant de drainer l'eau.



- Connectez le tuyau de vidange correctement et assurez-vous qu'il n'est pas obstrué.
- Insérez l'extrémité d'évacuation du tuyau dans un drain ou un seau et assurez-vous que l'eau peut s'écouler librement de l'unité.
- Ne submerger pas l'extrémité du tuyau dans l'eau, car cela pourrait provoquer un "blocage" de l'air dans le tuyau.

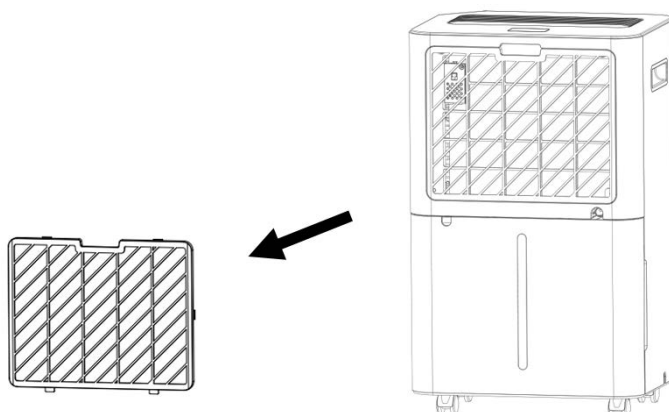
Pour prévenir les fuites d'eau:

- La pression négative du récipient de drainage des condensats étant élevée, inclinez le tuyau de drainage vers le sol. Il est nécessaire que l'angle d'inclinaison dépasse 20 °.
- Serrer le tuyau pour éviter de le plier.

6. ENTRETIEN

NETTOYAGE DU FILTRE D'AIR

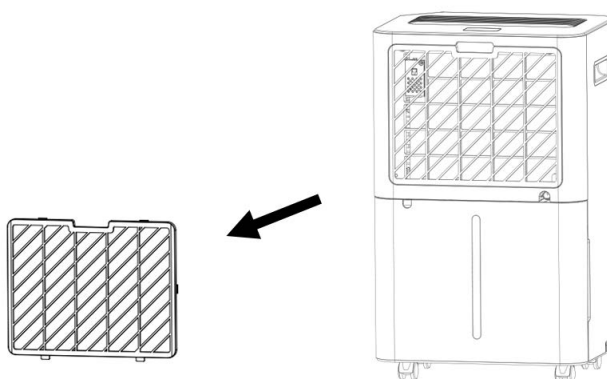
Nettoyez le filtre au moins toutes les deux semaines ou chaque fois qu'il est nécessaire. Les impuretés accumulées dans un filtre non lavé peuvent être absorbées par le ventilateur en se fixant sur l'évaporateur, au condenseur et sur d'autres composants internes, ce qui entraîne une diminution du rendement et l'apparition de divers défauts, dans ce cas, non



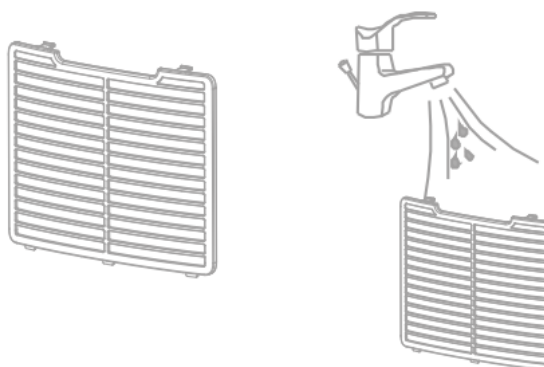
couverts par la garantie.

Si on constate des impuretés à l'intérieur de l'unité, contactez le service agréé le plus proche pour un nettoyage professionnel. N'effectuez pas de nettoyage interne (autre que le nettoyage et le lavage du filtre lavable) qu'uniquement avec du personnel spécialisé.

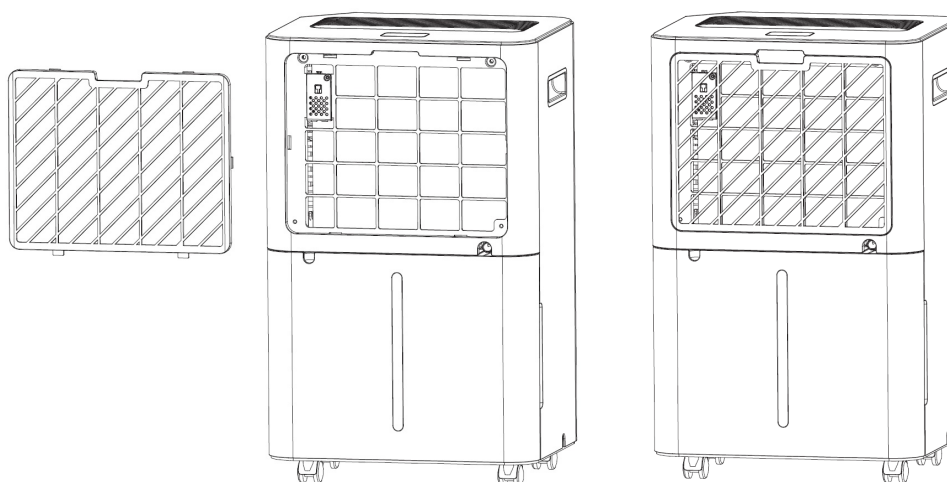
a) Retirez la grille du filtre et enlevez le filtre.



b) Utilisez un aspirateur pour absorber délicatement la poussière à la surface du filtre. Faire tremper la passoire dans de l'eau tiède à environ 40 degrés Celsius. Si le filtre est très sale, lavez-le avec de l'eau et un détergent doux, puis séchez-le soigneusement.



c) Remettez le filtre en place derrière l'appareil.



7. DÉPANNAGE

A. TEMPERATURE DE FONCTIONNEMENT

5 ° C ≤ Température ambiante ≤ 35 ° C Lorsque la température ambiante est inférieure ou supérieure à la température de fonctionnement, le déshumidificateur s'arrête.

Lorsque 5 ° C ≤ Temp. Ambiante ≤ 16 ° C, le compresseur dégivre automatiquement à certains intervalles; pendant le dégivrage, le compresseur s'arrête et le ventilateur continue de fonctionner.

B. AVANT DE DEMANDER UN SERVICE

Avant de contacter le centre de service, consultez la liste des problèmes pouvant survenir pendant le fonctionnement de l'unité et ne résultant pas d'un vice du travail ni des matériaux utilisés

Problème	Causes possibles	Solution
L'appareil ne fonctionne pas	Il n'y a pas d'alimentation	Branchez l'appareil à une prise de courant et allumez-le
	L'indicateur «Water Full» (Réservoir plein) est allumé	Videz le réservoir d'eau et remettez-le au bon endroit.
	Température de la chambre <5°C >35°C	Système de protection installé pour protéger l'unité. L'unité ne peut pas fonctionner à une telle température.
Mauvaise opération	Le filtre à l'air est-il bloqué?	Nettoyez le filtre à l'air comme expliqué dans ce manuel
	Le port d'entrée ou de sortie est-il bloqué?	Le fait de retirer quoi que ce soit obstrue l'entrée ou la sortie.
Le port d'entrée d'air ne permet pas à l'air de passer à travers	Le filtre est-il bloqué?	Lavez le filtre
L'unité fait du bruit pendant le fonctionnement	L'unité est-elle positionnée sur une surface horizontale et plane?	Placez l'appareil correctement
	Le filtre est-il bloqué?	Lavez le filtre

E1/E2	Problèmes avec le capteur d'humidité	Placez l'appareil correctement
LO	Le niveau d'humidité dans la chambre a diminué en dessous de 20%	Le déshumidificateur s'arrête automatiquement pour se protéger
HI	Le niveau d'humidité dans la chambre a augmenté de plus de 90%	
CL	Protection à basse température, quand la temp. de la chambre est <5°C	
CH	Protection à haute température, quand la temp. de la chambre est >35°C	

8. ELIMINATION

8.1 STOCKAGE DE L'UNITÉ

Stockage à long terme - Si vous n'utilisez pas l'appareil pendant une longue période (plus de quelques semaines), nous vous recommandons de le nettoyer et de le sécher complètement. Veuillez stocker l'unité en procédant comme suit:

- Appuyez sur le bouton d'alimentation pour éteindre l'unité et débranchez-le de la prise de courant.
 - Videz l'eau restante dans l'unité
 - Nettoyez le filtre et laissez-le se sécher complètement dans une zone à l'abri de la lumière.
 - Enroulez le câble d'alimentation.
 - Réinstallez le filtre dans la position correcte.
 - L'unité doit être maintenue en position verticale lorsqu'elle est stockée.
 - Conservez le déshumidificateur dans une chambre ventilée, sèche et sans carburants.
- ATTENTION:** L'évaporateur à l'intérieur du déshumidificateur doit être sec avant d'être emballé pour éviter d'endommager les composants et l'apparence de moisissure. Débranchez l'unité et placez-le dans un endroit sec et ouvert pendant plusieurs jours pour le bien sécher. Une autre façon de sécher l'unité consiste à régler le niveau d'humidité à 5% au-dessus de l'humidité ambiante, afin de forcer le ventilateur à sécher l'évaporateur pendant plusieurs heures.

8.2 ELIMINATION



AVERTISSEMENT!!!

La libération du réfrigérant dans l'atmosphère est strictement interdite!

Ne jetez pas les appareils électriques avec les déchets ménagers non triés, mais utilisez des espaces de collecte séparés. Contactez votre administration locale pour obtenir des informations sur les systèmes de collecte disponibles dans la région. Si les appareils électriques sont jetés avec les ordures ménagères, des substances dangereuses peuvent s'infiltrer dans les eaux souterraines et atteindre la chaîne alimentaire, nuisant ainsi à la santé et au bien-être des personnes.

SMARTLIFE- MANUEL D'UTILISATION DE L'APP. REVI 20 WIFI ION

L'application «Smart Life» est disponible pour Android et iOS. Scannez avec votre smartphone le code QR correspondant pour accéder directement au téléchargement.

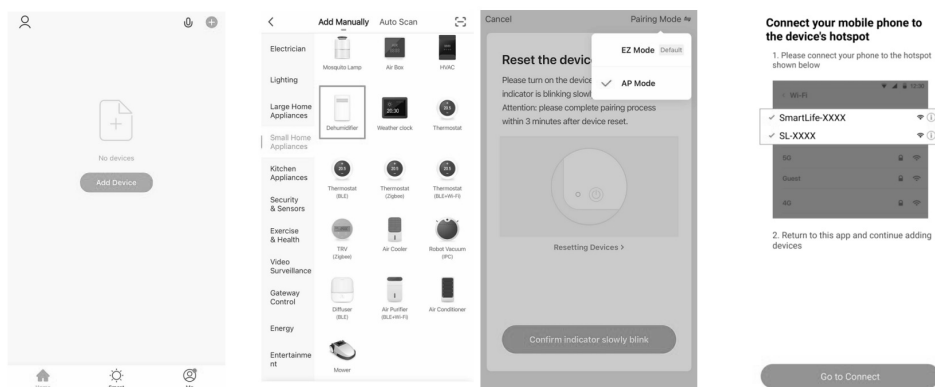


Comment utiliser l'application

Cet appareil vous permet de faire fonctionner l'appareil via votre réseau domestique WIFI. Une condition préalable est une connexion WIFI permanente à votre routeur et l'application gratuite «Smart Life». Nous vous recommandons de débrancher l'appareil de l'alimentation électrique lorsque vous êtes loin de chez vous pour éviter une mise en marche involontaire pendant que vous êtes en déplacement!

Mise en service via l'application

1. Installez l'application "Smart Life". Créez un compte utilisateur.
2. Activez la fonction WIFI dans les paramètres de votre appareil - appuyez sur le bouton TIMER pendant au moins 5 secondes
3. Placez l'appareil à une distance d'environ 5 mètres de votre routeur.
4. Tant que l'alimentation est allumée, l'indicateur WIFI clignote lentement. Après 3 minutes, l'état sera annulé s'il n'y a pas de configuration réseau et que le voyant est éteint. Si vous avez besoin de reconnecter le WIFI, longtouch le bouton "TIMER" pendant 5 secondes pour démarrer la configuration du réseau, le voyant WIFI clignote lentement.
5. Lorsque l'indicateur WIFI clignote lentement, sélectionnez "Ajouter un appareil"- "Petits appareils ménagers"- "Déshumidificateur", et suivez les instructions de l'application Smar Life. Sélectionnez "Mode AP" en haut à droite de l'application, choisissez "Confirmer l'indicateur clignote lentement » et appuyez sur « Go to Connect » pour connecter le WIFI nommé « SmartLife-XXXX ».
- 6 Si l'indicateur WIFI clignote rapidement, il peut être connecté directement.
7. Une fois l'appareil connecté avec succès, le voyant WIFI s'allume. Vous pouvez maintenant faire fonctionner le appareil à l'aide de l'application.
8. Appuyez sur le bouton TIMER et maintenez-le enfoncé pendant environ 5 secondes, l'appareil se déconnecte et le voyant WIFI s'éteint.



DÉPANNAGE

La connexion réseau a échoué	Solution
Délai d'expiration de la connexion réseau	<ol style="list-style-type: none">1. Vérifiez si vous sélectionnez le WIFI nommé «SmartLife-XXXX».2. Éteignez la machine et débranchez le code d'alimentation et le plugin après 10 secondes, entrez dans l'application pour vous connecter à nouveau.
Voyant WIFI éteint	Appuyez longuement sur le bouton «Minuterie» ou Éteignez la machine et débranchez le code d'alimentation et le plug-in après 10 secondes.
Le hotspot WIFI disparaît et le voyant WIFI clignote	Éteignez la machine et débranchez le code d'alimentation et le plugin après 10 secondes, entrez dans l'application pour vous connecter à nouveau.

IT: INDICE

1.	PRIMA DI INIZIARE	93
2.	ISTRUZIONI DI SICUREZZA	94
3.	PRESENTAZIONE DEL PRODOTTO	98
4.	INSTALLAZIONE	100
5.	FUNZIONAMENTO	101
6.	MANUTENZIONE	105
7.	RISOLUZIONE DEI PROBLEMI	106
8.	SMALTIMENTO DEL PRODOTTO	107
9.	SMART LIFE APP - Manuale d'uso	108

Grazie per aver scelto il nostro deumidificatore..
Assicurarsi di leggere attentamente questo manuale prima di utilizzarlo.
Conservare attentamente questo manuale per ulteriori riferimenti!!

1. PRIMA DI INIZIARE

Leggere attentamente le istruzioni per l'uso prima di utilizzare il deumidificatore per la prima volta.

A. DESCRIZIONE DEL PRODOTTO

Il deumidificatore viene utilizzato per rimuovere l'umidità in eccesso dall'aria. La conseguente riduzione dell'umidità relativa protegge gli edifici e il loro contenuto dagli effetti negativi dell'umidità in eccesso.

L'R290 ecologico viene utilizzato come refrigerante. R290 non ha alcuna influenza dannosa sullo strato di ozono (ODP), un effetto serra trascurabile (GWP) ed è disponibile in tutto il mondo. Grazie alle sue efficienti proprietà energetiche, R290 è altamente adatto come refrigerante per questa applicazione. Precauzioni speciali devono essere prese in considerazione a causa dell'alta infiammabilità del liquido di raffreddamento.

B. SIMBOLI SULL'UNITÀ E NEL MANUALE D'USO



Attenzione!

Questa unità utilizza un refrigerante infiammabile.

Se il refrigerante esce fuori dall'unità ed entra in contatto con il fuoco o una parte riscaldata, si crea gas nocivo e aumenta il rischio di incendio.



Leggere attentamente il MANUALE D'USO prima di utilizzare l'unità.



Ulteriori informazioni sono disponibili nel MANUALE D'USO e nel MANUALE DI ASSISTENZA TECNICA.



Il personale dell'assistenza tecnica è consigliato di leggere attentamente il MANUALE D'USO e il MANUALE DI ASSISTENZA TECNICA prima di utilizzare l'unità.

C. PRESTARE ATTENZIONE IN QUALSIASI MOMENTO ALLE INFORMAZIONI SOTTOSTANTI

- Questo apparecchio è destinato ad essere utilizzato da esperti o utenti addestrati nei negozi, nell'industria leggera e nelle aziende agricole o per uso commerciale da parte di persone non specializzate.

- Questo apparecchio può essere utilizzato da bambini di età pari o superiore a 8 anni e da persone con capacità fisiche, sensoriali o mentali ridotte o senza esperienza e conoscenza se sono stati sottoposti a supervisione o istruzione relative all'uso dell'apparecchio in modo sicuro e comprendono pericoli coinvolti.
- Questo apparecchio non è un giocattolo. I bambini sotto i 3 anni devono essere costantemente monitorati e tenuti lontano da esso.
- La pulizia e la manutenzione dell'unità non devono essere eseguite da bambini.
- L'unità è progettata esclusivamente per l'uso con gas R-290 (propano) come refrigerante designato.
- Il circuito di raffreddamento è sigillato. Solo persone qualificate possono eseguire riparazioni al circuito di raffreddamento!
- Non scaricare il refrigerante nell'atmosfera.
- L'R-290 (propano) è infiammabile e più pesante dell'aria.
- Si raccoglie per primo nelle aree basse ma può essere fatto circolare dai fan.
- Se è presente o addirittura sospettato gas propano, non consentire a personale non addestrato di tentare di trovare la causa.
- Il gas propano utilizzato nell'unità non ha odore.
- La mancanza di odore non indica una mancanza di gas fuoriuscito.
- Se viene rilevata una perdita, evacuare immediatamente tutte le persone dal negozio, ventilare la stanza e contattare i vigili del fuoco locali per avvisare che si è verificata una perdita di propano.
- Non consentire a nessuno di rientrare nella stanza fino a quando il tecnico dell'assistenza qualificato non è arrivato e ha informato che è sicuro tornare al negozio.
- Non utilizzare fiamme libere, sigarette o altre possibili fonti di accensione all'interno o nelle vicinanze delle unità.
- I componenti sono appositamente progettati per l'uso con gas propano. I componenti vengono sostituiti solo con parti identiche.

LA MANCATA OSSERVANZA DELLE ISTRUZIONI DI SICUREZZA PUÒ AUMENTARE IL RISCHIO DI ESPLOSIONI, MORTE, LESIONI E DANNI MATERIALI.

2. ISTRUZIONI DI SICUREZZA

La tua sicurezza è la cosa più importante di cui siamo preoccupati!



Si prega di leggere attentamente questo manuale prima di utilizzare il deumidificatore.

A. AVVERTENZE RELATIVE AL FUNZIONAMENTO DEL DISPOSITIVO

ATTENZIONE: per ridurre il rischio di incendi, scosse elettriche o lesioni a persone o cose:

- Se il cavo di alimentazione è danneggiato, deve essere sostituito dal produttore, dal suo agente di servizi o da persone analogamente qualificate per evitare pericoli.
- Il livello di pressione sonora ponderata A è inferiore a 36 dBs.

- L'apparecchio deve essere scollegato dalla fonte di alimentazione durante la manutenzione.
- Collegare sempre l'unità a una fonte di alimentazione di uguale tensione, frequenza e potenza, come indicato sulla targhetta di identificazione del prodotto.
- Utilizzare sempre una presa di corrente con messa a terra.
- Scollegare il cavo di alimentazione durante la pulizia o quando l'unità non viene utilizzata.
- Non operare l'unità con le mani bagnate. Prevenire la fuoriuscita di acqua sull'unità.
- Non immergere o esporre l'unità a pioggia, umidità o altri liquidi.
- Non lasciare l'unità in funzione incustodita. Non inclinare o capovolgere l'unità.
- Non scollegare il cavo di alimentazione mentre l'unità è in funzione.
- Non scollegare tirando il cavo di alimentazione.
- Non utilizzare una prolunga o una spina per adattatore.
- Non appoggiare oggetti sull'unità.
- Non arrampicarsi o sedersi sull'unità.
- Non inserire dita o altri oggetti nell'uscita dell'aria.
- Non toccare l'ingresso dell'aria o le alette di alluminio dell'unità.
- Non utilizzare l'unità se è caduta, danneggiata o presenta segni di malfunzionamento del prodotto.
- Non pulire l'apparecchio con sostanze chimiche.
- Assicurarsi che l'unità sia lontana da fuoco, oggetti infiammabili o esplosivi
- L'unità deve essere installata in conformità con le normative nazionali sul cablaggio.
- Non utilizzare mezzi per accelerare il processo di scongelamento o per pulire, diversi da quelli raccomandati dal produttore.
- L'apparecchio deve essere riposto in una stanza senza fonti di funzionamento continuo (ad esempio: fiamme libere, un apparecchio a gas in funzione o un riscaldatore elettrico in funzione).
- L'apparecchio deve essere riposto in modo da evitare danni meccanici.
- Non tagliare o bruciare l'apparecchio, neppure dopo l'uso.
- Bisogna tener presente che i refrigeranti potrebbero non contenere odori.
- Le tubazioni devono essere protette da danni fisici e non devono essere installate in uno spazio non ventilato, se tale spazio è inferiore a 4 m².
- Rispettare le normative nazionali concernente gli apparecchi a gas.
- Mantenere le aperture di ventilazione libere da ostruzioni.
- L'apparecchio deve essere riposto in un'area ben ventilata in cui le dimensioni dell'ambiente corrispondono all'area dell'ambiente specificato per il funzionamento.



Chiunque lavori su un circuito di refrigerazione deve essere in possesso di un certificato valido rilasciato da un'autorità di valutazione accreditata, che autorizza la propria competenza a gestire i refrigeranti in modo sicuro, conformemente alle specifiche riconosciute in tale settore.



Le riparazioni all'installazione devono essere eseguite solo secondo le raccomandazioni del produttore. La manutenzione e le riparazioni richiedono l'assistenza di personale qualificato e vengono eseguite sotto la supervisione di una persona competente nell'uso di refrigeranti infiammabili.

Se ci sono problemi che non capisci o se hai bisogno di aiuto, contatta il rivenditore autorizzato.

B. PRECAUZIONI DI SICUREZZA SULLA MANUTENZIONE

Si prega di seguire questi avvertimenti durante la manutenzione di un deumidificatore con R290.

i. Controlli nell'area

Prima di iniziare a lavorare su sistemi contenenti refrigeranti infiammabili, sono necessari controlli di sicurezza per garantire che il rischio di accensione sia ridotto al minimo. Per la riparazione del sistema di refrigerazione, devono essere rispettate le seguenti precauzioni prima di eseguire lavori sul sistema.

ii. Procedura di lavoro

I lavori devono essere eseguiti secondo una procedura controllata in modo da ridurre al minimo il rischio di presenza di gas o dei vapori infiammabili durante l'esecuzione del lavoro.

iii. Area di lavoro

Tutto il personale addetto alla manutenzione e le altre persone che lavorano nell'area locale devono essere istruiti sulla natura del lavoro svolto. Il lavoro in spazi ristretti deve essere evitato. L'area intorno allo spazio di lavoro è delimitata. Assicurarsi che gli spazi nell'area sono stati messi in sicurezza mediante il controllo del materiale infiammabile.

iv. Verifica della presenza dell'agente refrigerante

L'area deve essere controllata con un rilevatore di gas refrigerante appropriato prima e durante il lavoro, per garantire che il tecnico sia a conoscenza delle atmosfere potenzialmente infiammabili. Accertarsi che l'attrezzatura per il rilevamento delle perdite utilizzata sia idonea all'identificazione di refrigeranti infiammabili, non produce scintille e sia adeguatamente sigillata.

v. La presenza di estintori

Se si devono eseguire lavori a caldo sull'apparecchiatura di refrigerazione o su qualsiasi parte associata, devono essere disponibili attrezzature antincendio adeguate. Assicurarsi di avere un estintore a polvere o a CO₂ adiacente all'area di lavoro”.

vi. Nessuna fonte di accensione

Nessuna persona che esegue lavori in un sistema di refrigerazione e che è esposta a un refrigerante infiammabile non deve utilizzare fonti di ignizione per evitare il rischio di incendi o esplosioni. Tutte le possibili fonti di ignizione, incluso il fumo, devono essere tenute abbastanza lontane dal luogo di installazione, riparazione, smantellamento e smaltimento dove è possibile rilasciare refrigerante infiammabile. Prima di eseguire i lavori,

l'area intorno all'installazione deve essere controllata per assicurarsi che non vi siano prodotti infiammabili o rischi di ignizione. Verrà utilizzato il cartello "Non fumare"..

vii. Aarea ventilata

Accertarsi che l'area sia aperta o che sia adeguatamente ventilata prima di eseguire interventi sul sistema o eseguire lavori a caldo. Il grado di ventilazione deve continuare durante il periodo di esecuzione dei lavori. La ventilazione dovrebbe disperdere in sicurezza qualsiasi refrigerante rilasciato e preferibilmente espellerlo esternamente nell'atmosfera.

viii. Controlli all'attrezzatura di refrigerazione

In caso di sostituzione di componenti elettrici, questi devono essere idonei allo scopo e alle specifiche corrette. Seguire sempre le linee guida di manutenzione e assistenza del produttore. In caso di dubbi, consultare l'ufficio tecnico del produttore per assistenza..

I seguenti controlli devono essere applicati agli impianti che utilizzano refrigeranti infiammabili:

- The La dimensione della carica è conforme alla dimensione della stanza in cui sono installate le parti contenenti refrigerante;
- Le macchine e le prese di ventilazione funzionano correttamente e non sono ostruite;
- Se si utilizza un circuito di refrigerazione indiretto, verificare la presenza di refrigerante nel circuito secondario;
- La marcatura sull'apparecchiatura continua a essere visibile e leggibile. Contrassegni e segni illeggibili devono essere corretti;
- I tubi o i componenti di refrigerazione sono installati in una posizione in cui è improbabile che siano esposti a qualsiasi sostanza che possa corrodere i componenti contenenti refrigerante, a meno che i componenti non siano costruiti con materiali intrinsecamente resistenti alla corrosione o adeguatamente protetti contro la corrosione.

ix. Controlli ai dispositivi elettrici

La riparazione e la manutenzione dei componenti elettrici comprendono controlli di sicurezza iniziali e procedure di ispezione dei componenti. Se esiste un guasto che potrebbe compromettere la sicurezza, nessuna alimentazione elettrica deve essere collegata al circuito fino a quando non viene risolto in modo soddisfacente. Se l'errore non può essere corretto immediatamente ma è necessario per continuare il funzionamento, deve essere utilizzata una soluzione temporanea adeguata. Questo deve essere segnalato al proprietario dell'apparecchiatura in modo che tutte le parti siano avvisate.

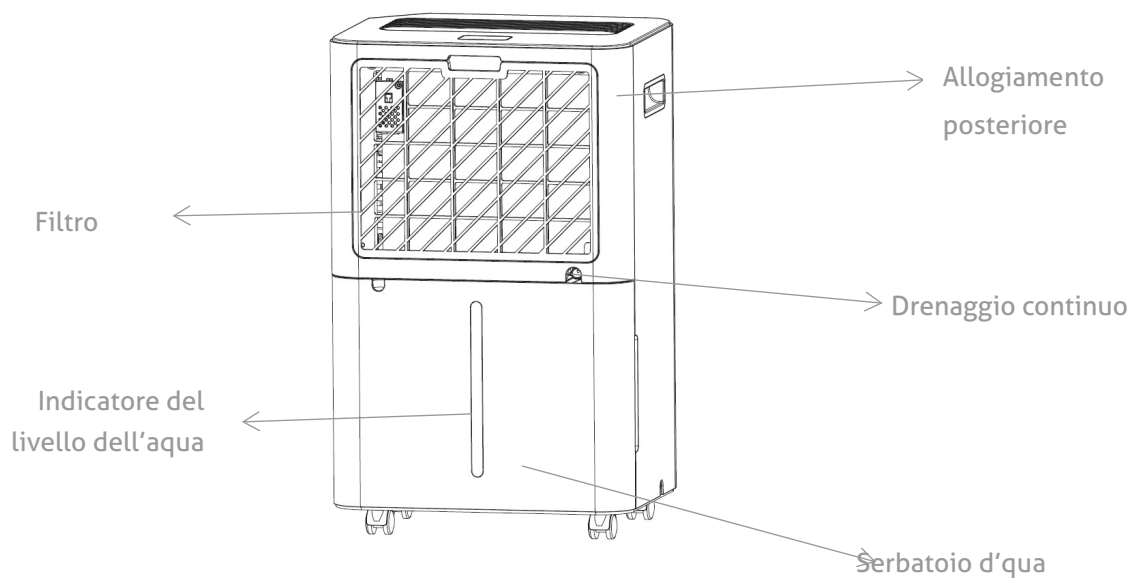
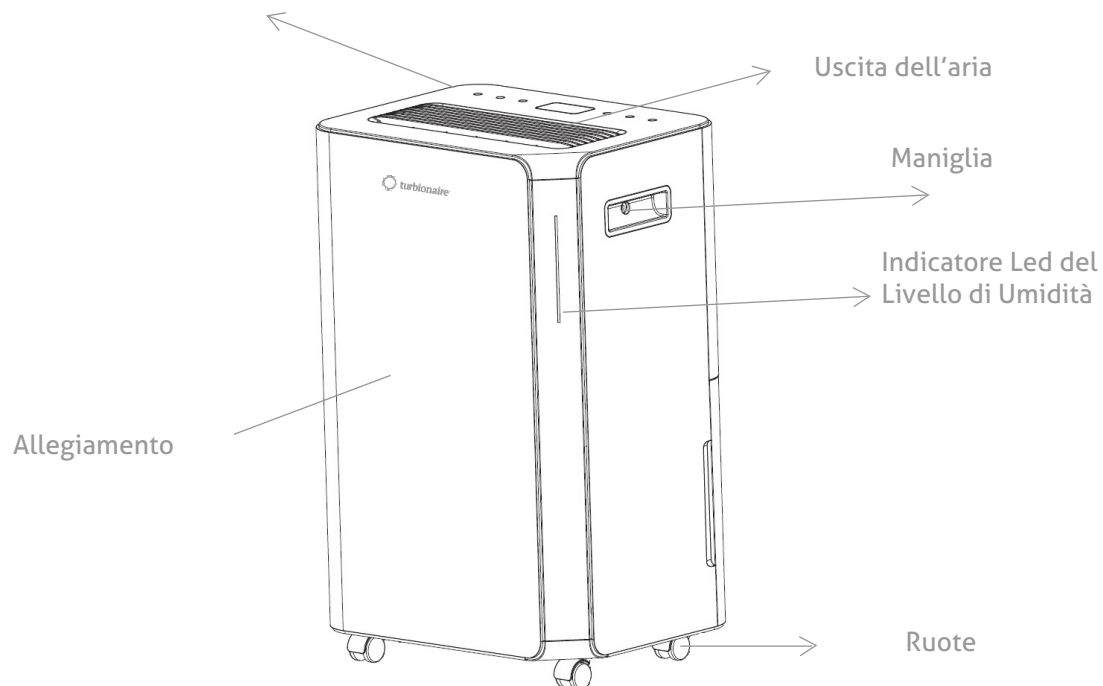
I controlli di sicurezza iniziali comprendono:

- Tali condensatori sono scaricati: questo deve essere fatto in modo sicuro per evitare le scintille.
- i componenti elettrici e i cavi non sono in tensione anche durante la carica, il recupero o lo spurgo del sistema
- La messa a terra

3. PRESENTAZIONE DEL PRODOTTO

A. VISTA ANTERIORE E POSTERIORE

Pannello di controllo elettronico



B. CARATTERISTICHE

- Potente rimozione dell'umidità
- Monitoraggio e visualizzazione dell'umidità attuale (indicatore LED a colori)
- La modalità automatica regola automaticamente i livelli di umidità
- Timer 24 ore per impostare l'orario di funzionamento
- Rimuove efficacemente umidità, polvere dall'aria
- Basso consumo energetico ed efficienza energetica
- La ventola silenziosa ha due velocità
- Sbrinamento automatico a bassa temperatura
- Spegnimento automatico / riavvio automatico
- Controllo elettronico
- Connessione WiFi (*per il modello REVI 20 WIFI ION*)
- Funzione di purificazione dell'aria ionizzatore (*per il modello REVI 20 WIFI ION*)
- Funzione di asciugatura della biancheria
- Drenaggio continuo
- Serbatoio dell'acqua da 4.5 litri

C. SPECIFICHE TECNICHE

MODELLO	REVI 20/ REVI 20 WIFI ION
Capacità di deumidificazione	20L/giorno (30°C, 80%)
Alimentazione	AC220-240V/50Hz
Consumo di energia	330W/2.3A
Livello di rumore	≤41dB(A)
Capacità del serbatoio dell'acqua	4.3L
Peso netto	13.5kg
Dimensioni minime della stanza	4 m² (Superficie del pavimento)
Dimensione	305x235x495 mm

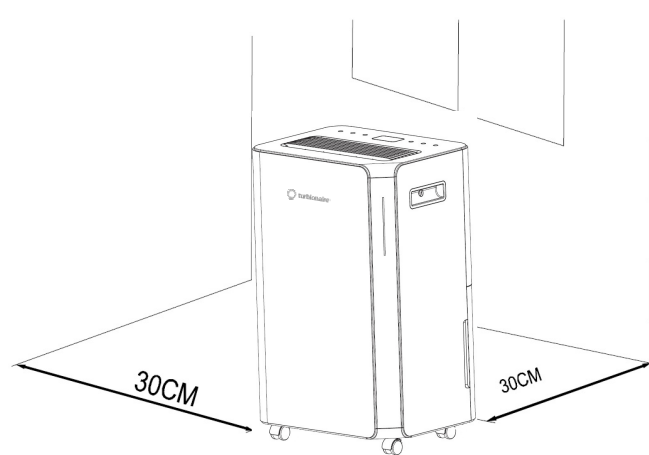
4. INSTALLAZIONE

A. POSIZIONAMENTO DEL DEUMIDIFICATORE

Posizionare l'unità su una superficie stabile e piana in un'area con almeno 30 cm di spazio libero attorno per consentire una corretta circolazione dell'aria.

Non installare mai l'unità dove potrebbe essere soggetta a:

- Fonti di calore come radiatori, stufe o altri prodotti che producono calore.
- In un'area in cui potrebbe essere spruzzato olio o acqua.
- La luce diretta del sole
- Vibrazioni meccaniche o urti
- Polvere eccessiva
- Mancanza di ventilazione, ad esempio armadio o libreria
- Superficie irregolare



ATTENZIONE

Installare l'unità in stanze che superano i 4 m².

Non installare l'unità in un luogo in cui potrebbero fuoriuscire gas infiammabili.



NOTA

Il produttore può fornire altri esempi adatti o ulteriori informazioni sull'odore del refrigerante.

B. AZIONARE IL DISPOSITIVO IN MODO SICURO

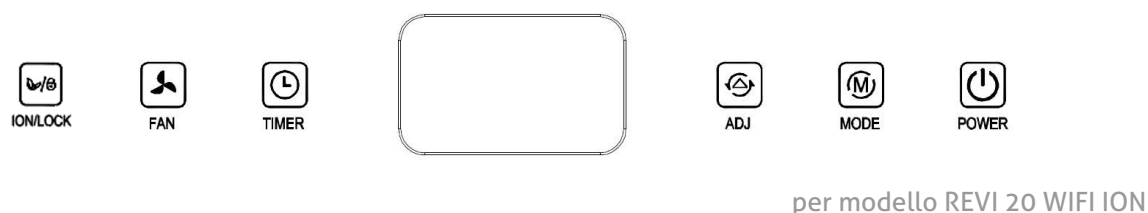
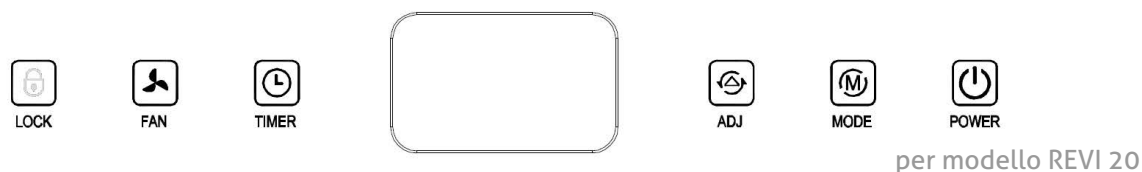
- Controllare il dispositivo dopo averlo disimballato per eventuali danni o graffi su di esso.
- Azionare questa unità a temperatura ambiente da 5°C a 35°C.
- Non utilizzare all'aperto. Questo deumidificatore è destinato esclusivamente ad applicazioni residenziali in interni.
- Non operare in prossimità di pareti, tende o altri oggetti che potrebbero bloccare l'ingresso e l'uscita dell'aria.
Mantenere l'ingresso e l'uscita dell'aria liberi da ostacoli.
- Regolare il deflettore del vento nella direzione verso l'alto prima dell'avvio.
- Se inclinato di oltre 45°, lasciare che l'unità rimanga in posizione verticale per almeno 24 ore prima dell'avvio.

- Tenere chiuse porte e finestre per un migliore risparmio energetico.
- Non utilizzare o conservare l'unità alla luce diretta del sole o alla pioggia.
- È normale che l'uscita dell'aria sia calda dopo un funzionamento continuo nelle giornate calde.
- Svuotare il serbatoio dell'acqua prima di spostare il dispositivo.
- Accertarsi che il serbatoio dell'acqua sia installato correttamente, altrimenti l'unità non funzionerà correttamente.
- Il deumidificatore si avvia nella modalità selezionata all'ultimo utilizzo dell'unità.
- Il deumidificatore inizia la deumidificazione se l'umidità della stanza è del 3% superiore all'umidità selezionata.
- C'è un ritardo di 3 minuti al termine del quale il compressore riprende a funzionare. Attendere 3 minuti affinché il deumidificatore riprenda la deumidificazione.

5. FUNZIONAMENTO

Panello di controllo

Quando il livello di umidità ambientale $\leq 45\%$ - l'indicatore LED del livello di umidità mostrerà il colore BLU $45\% < \text{Livello di umidità ambientale} < 65\%$ - l'indicatore LED del livello di umidità mostrerà il colore VERDE. Livello di umidità ambientale $\geq 65\%$ - il LED del livello di umidità l'indicatore mostrerà il colore ROSSO. Quando il display digitale mostra un codice di errore, l'indicatore LED del livello di umidità mostrerà il colore ROSSO



Pulsante POWER - Toccare questo pulsante per accendere o spegnere l'unità.

Pulsante MODE - Toccare questo pulsante per scegliere la modalità Auto, Sleep o Dry continuo.

Pulsante HUM - Toccare questo pulsante per regolare il livello di umidità e scegliere l'ora del timer. **Pulsante TIMER** - Toccare questo pulsante per impostare l'ora di avvio o arresto automatico dell'unità. **Pulsante velocità ventola**: toccare questo pulsante per selezionare la velocità della ventola tra alta e bassa.

Per **attivare il WiFi**, toccare il **pulsante Timer** per almeno 5 secondi. L'indicatore Wi-Fi sul display inizierà a lampeggiare (**per il modello REVI 20 WiFi ION**)



NOTA: Per utilizzare la funzione WiFi, consultare le istruzioni alla fine di questo manuale utente.

Pulsante ION/LOCK (per il modello Revi 20 WIFI ION) - Premere il pulsante ION/LOCK per avviare la funzione di purificazione dell'aria. Premere a lungo questo pulsante per 3 secondi per attivare o disattivare la funzione di blocco bambini.

Pulsante LOCK (per il modello Revi 20) - Toccare questo pulsante per attivare o disattivare la funzione di blocco bambini.

Display digitale - Visualizza il valore di umidità, l'impostazione del timer, la temperatura e altre informazioni in base alle immagini sottostanti, a seconda del modello.



per modello REVI 20

- Indicatore di serbatoio dell'acqua pieno, ricorda di pulire il serbatoio dell'acqua.
- Indicatore blocco bambini.
- Indicatore del timer.
- Modalità automatica/Modalità di asciugatura
- GNT continua/Indicatore della modalità Sleep.
- Velocità della ventola
- Indicatore di energia



per modello REVI 20 WIFI ION

- Indicatore di serbatoio dell'acqua pieno, ricorda di pulire il serbatoio dell'acqua
- Indicatore blocco bambini
- Indicatore di purificazione dell'aria ionizzatore
- Indicatore del timer.
- Modalità automatica/Modalità di asciugatura continua/Modalità Sleep
- Modalità automatica/Modalità di asciugatura continua/Modalità Sleep
- Indicatore di energia
- Indicatore di velocità della ventola bassa/alta
- Wifi indicator



POWER

In standby, premere il pulsante di accensione per accendere, l'indicatore di funzionamento si illumina e la velocità predefinita della ventola è alta e l'umidità predefinita è del 50%. Nello stato di accensione, premere il pulsante di accensione per spegnersi, la spia di funzionamento si spegne e il compressore si arresta immediatamente, quindi la ventola si spegne dopo 30 secondi di ritardo.



MODE


Toccare il tasto modalità per alternare tra modalità automatica, sospensione e asciugatura.

•Modalità automatica: quando l'umidità ambientale è \geq umidità impostata 3%, la ventola entra in funzione e il compressore entra in funzione dopo 3 secondi. Quando l'umidità ambientale \leq imposta l'umidità-3%, il compressore smette di funzionare e la ventola smette di funzionare dopo un ritardo di 30" secondi. Toccare il pulsante ADJ per regolare il livello di umidità dal 30% all'80% in modalità automatica. Sia la velocità della ventola che l'umidità possono essere regolate in modalità automatica.

- Modalità di asciugatura (modalità continua): l'unità continua a funzionare, la velocità della ventola può essere regolata , l'umidità non può essere regolata.
- Modalità sospensione: toccare il pulsante di sospensione, il pulsante si illumina e avvia la funzione di sospensione, l'umidità predefinita è del 60%. Se il pannello di controllo non viene azionato entro 10 secondi, tutti gli indicatori si spengono gradualmente e la velocità del ventilatore passa automaticamente da alta a bassa. Toccare nuovamente il pulsante SLEEP per uscire dalla modalità Sleep. Sia la velocità della ventola che l'umidità possono essere regolate in modalità sleep. Toccare nuovamente il pulsante MODE per uscire dalla modalità SLEEP.



TIMER

TIMER Toccare il pulsante del timer per impostare la funzione di temporizzazione 0-24 ore. Il pannello del display "88" lampeggia e mostrerà l'ora del timer, toccare il pulsante ADJ  per aumentare il valore di 1 ora, il valore visualizzato sullo schermo del display "88". Nello stato di funzionamento, utilizzare la funzione timer per spegnere regolarmente l'unità. Impostare l'ora su "00" per annullare la funzione di temporizzazione.



FAN

VELOCITÀ DELLA VENTOLA (SPEED)

Alta velocità – bassa velocità, premere una volta il pulsante per passare da una all'altra, quindi si accende l'indicatore LED corrispondente. Nella modalità di deumidificazione continua, modalità sleep e nel periodo di scongelamento, la velocità della ventola non può essere modificata.



ION/LOCK

ION/LOCK (**per il modello Revi 20 WIFI ION**) - Premere il pulsante ION/LOCK per avviare la funzione di purificazione dell'aria. Premere a lungo questo pulsante per 3 secondi per attivare o disattivare la funzione di blocco bambini.



LOCK

LOCK (**per il modello Revi 20**) - Toccare questo pulsante per attivare o disattivare la funzione di blocco bambini.

Allarme serbatoio acqua pieno/indicatore serbatoio acqua

Quando il serbatoio è pieno, attiva l'allarme per 5 secondi. L'indicatore LED del serbatoio pieno diventa rosso

Cancellare l'allarme

Quando il ronzio è attivo, premi un pulsante qualsiasi per interromperlo. Il compressore e il ventilatore si spengono e tutte le funzioni si congelano fino a quando il serbatoio dell'acqua non viene svuotato e riportato nella posizione corretta.

A. Drenaggio

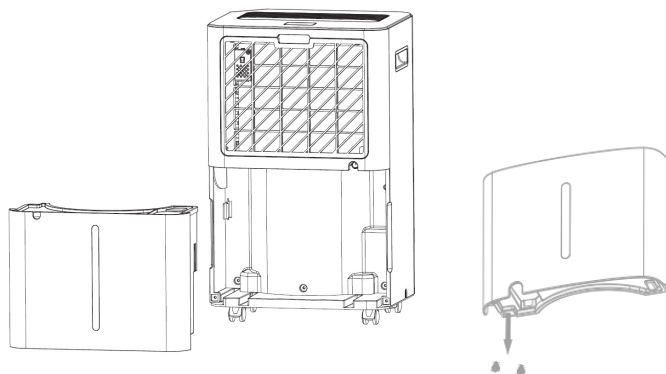
Esistono due modi per rimuovere l'acqua raccolta prodotta dall'unità.

- Scarico manuale: il serbatoio dell'acqua viene rimosso manualmente.
- Scarico continuo: collegare un tubo di scarico all'unità in modo che l'acqua di condensa venga scaricata usando la gravità.

B. Svuotare il serbatoio dell'acqua

L'unità si spegne quando il serbatoio dell'acqua è pieno. Funzionerà di nuovo dopo aver svuotato il serbatoio dell'acqua e averlo reinstallato correttamente. Quando il serbatoio è pieno, l'unità emetterà un ronzio e il LED "Water Full" si accenderà.

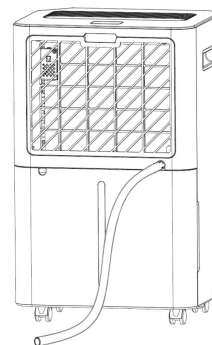
- Premere il tasto POWER per spegnere l'unità.
- Tirare il serbatoio dell'acqua ed estrarlo dal corpo del deumidificatore.
- Svuotare l'acqua in un'area con uno scarico o all'esterno.
- Se necessario, pulire l'interno del serbatoio e l'esterno.
- Riposizionare il serbatoio vuoto nell'unità.
- Premere il tasto POWER per riavviare l'unità.
- Se il LED "Water Full" è ancora acceso, verificare che il galleggiante del serbatoio dell'acqua sia posizionato correttamente e privo di blocchi



C. Drenaggio continuo

Per il funzionamento continuo o la deumidificazione incustodita, collegare il tubo di scarico all'unità. La condensa viene scaricata liberamente in un secchio o in un foro di drenaggio usando la gravità.

- Posizionare l'unità su una superficie orizzontale e stabile.
- Spegnerne l'unità prima di metterla in funzione.



- Collegare saldamente e correttamente il tubo di scarico e assicurarsi che non sia ostruito.
- Collocare l'estremità del tubo di scarico in un foro di drenaggio o in un secchio e assicurarsi che l'acqua possa defluire liberamente dall'unità.
- Non immergere l'estremità del tubo in acqua; altrimenti può causare "Air Lock" (blocco dell'aria) nel tubo.

Per evitare la fuoriuscita di acqua:

- Poiché la pressione negativa della vaschetta di scarico della condensa è elevata, inclinare il tubo di scarico verso il basso verso il pavimento. È opportuno che il grado di inclinazione superi i 20 gradi.
- Raddrizzare il tubo per evitare la flessione.

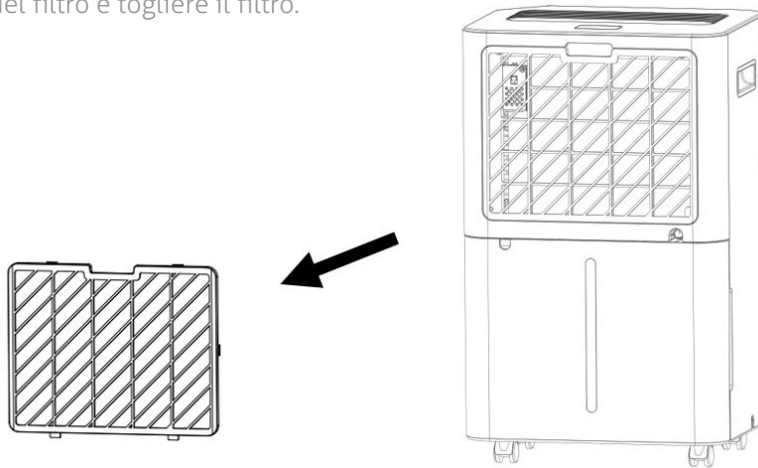
6. MANUTENZIONE

PULIRE IL FILTRO DELL'ARIA

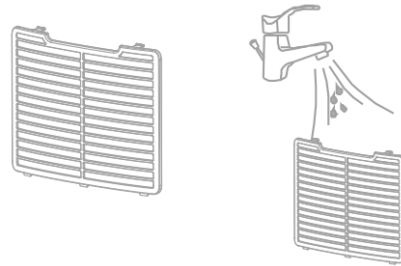
Pulire il filtro almeno due volte al mese o quando necessario. I depositi accumulati su un filtro sporco possono essere assorbiti dal ventilatore, quindi rimanere attaccati all'evaporatore, al condensatore e ad altri componenti all'interno dell'unità, il che può ridurre l'efficienza dell'unità e portare a vari malfunzionamenti che non sono coperti dalla garanzia.

Se si trovano depositi all'interno dell'unità, contattare il servizio di assistenza autorizzato più vicino per la pulizia professionale. Non eseguire operazioni di pulizia interna (diverse dalla pulizia e dal lavaggio del filtro lavabile) da soli. Contattare sempre personale tecnico qualificato.

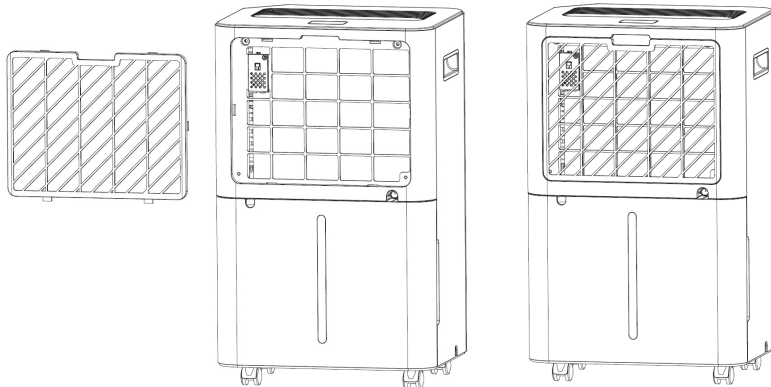
a) Rimuovere la griglia del filtro e togliere il filtro.



b) Utilizzare un aspirapolvere per assorbire delicatamente la polvere sulla superficie del filtro. Immergere il colino in acqua calda a circa 40 gradi Celsius. Se il filtro è molto sporco, lavarlo con acqua e un detergente delicato e asciugarlo accuratamente.



c) Riposizionare il filtro nella sua posizione iniziale, che si trova nella parte posteriore dell'unità.



7. RISOLUZIONE DEI PROBLEMI

A. FUNCTIONING DI FUNZIONAMENTO

5°C ≤ Temperatura ambiente ≤ 35°C Quando la temperatura ambiente è inferiore o superiore alla temperatura di funzionamento, il deumidificatore si arresta.

When 5°C ≤ Temperatura Ambiente ≤ 16°C, il compressore si scongela automaticamente a determinati intervalli; durante lo sbrinamento, il compressore si arresta e la ventola continua a funzionare.

B. PRIMA DI CHIAMARE L'ASSISTENZA

Prima di contattare l'assistenza professionale, consultare l'elenco di risoluzione dei problemi che include eventi comuni che non sono il risultato di un difetto nella lavorazione nei materiali.

Problem	Possible Cause	Solution
L'unità non funziona	Assenza di corrente.	Collegare l'unità a una presa di corrente e accenderla
	L'indicatore "Water Full" è acceso	Svuotare il serbatoio dell'acqua e rimetterlo nel posto giusto.
	Temperatura ambiente <5°C or >35°C	Sistema di protezione installato per proteggere l'unità. L'unità non può funzionare a tale temperatura.
Malfunzionamento	Il filtro dell'aria è bloccato?	Pulire il filtro dell'aria come spiegato in questo manuale
	È bloccato ingresso o uscita dell'aria?	La rimozione di qualsiasi cosa ostruisce l'ingresso o l'uscita dell'aria.
L'ingresso dell'aria non consente il passaggio dell'aria	Il filtro è bloccato?	Pulire il filtro

L'unità emette rumori durante il funzionamento	L'unità è posizionata su una superficie piana e orizzontale	Posizionare l'unità correttamente
	Il filtro è bloccato?	Pulire il filtro
E2	Problemi con il sensore di umidità	Cambia il sensore
LO	Il livello di umidità nella stanza è sceso sotto il 20%	Il deumidificatore si spegne automaticamente per proteggersi
HI	Il livello di umidità nella stanza è aumentato di oltre il 90%	
CL	Protezione a bassa temperatura, quando la temperatura ambiente è <5°C	
CH	Protezione ad alta temperatura quando la temperatura ambiente è >35°C	

8. SMALTIMENTO DEL PRODOTTO

8.1 STOCCAGGIO

Conservazione a lungo termine – Se non si intende utilizzare l'unità per un lungo periodo di tempo (più di alcune settimane), è meglio pulire l'unità e asciugarla completamente. Conservare l'unità per i seguenti passaggi:

- h) Premere il pulsante di accensione per spegnere e scollegare l'unità.
- i) Scaricare l'acqua rimanente dall'unità.
- j) Pulire il filtro e lasciarlo asciugare completamente in un'area ombreggiata.
- k) Avvolgere il cavo di alimentazione.
- l) Reinstallare il filtro nella sua posizione.
- m) L'unità deve essere mantenuta in posizione verticale durante lo stoccaggio.
- n) Preservare l'unità in luoghi ventilati, asciutti, non corrosivi e sicuri.

ATTENZIONE: L'evaporatore all'interno del deumidificatore, dovrebbe essere asciugata prima dell'imballaggio per evitare danni ai componenti e la crescita di muffe. Scollegare l'unità e posizionarla in uno spazio aperto e asciutto per giorni per asciugare bene. Un altro modo per asciugare l'unità è impostare il livello di umidità al 5% sopra l'umidità ambientale, per forzare la ventola ad asciugare l'evaporatore per alcune ore.

8.2 SMALTIMENTO



AVVERTIMENTO!!! Non rilasciare il refrigerante in atmosfera. È severamente vietato! Non gettare le apparecchiature elettriche tra i rifiuti urbani non differenziati. Utilizzare strutture di raccolta separate. Contattare il governo locale per informazioni relative ai sistemi di raccolta disponibili. Se gli

apparecchi elettrici vengono smaltiti insieme ai rifiuti domestici, le sostanze pericolose possono penetrare nelle acque sotterranee, danneggiando la salute e il benessere delle persone.

SMARTLIFE- MANUALE D'USO DELL'APP DI REVI 20 WIFI ION

L'app "Smart Life" è disponibile per Android e iOS.

Scansiona con il tuo smartphone il codice QR corrispondente per arrivare direttamente al download.

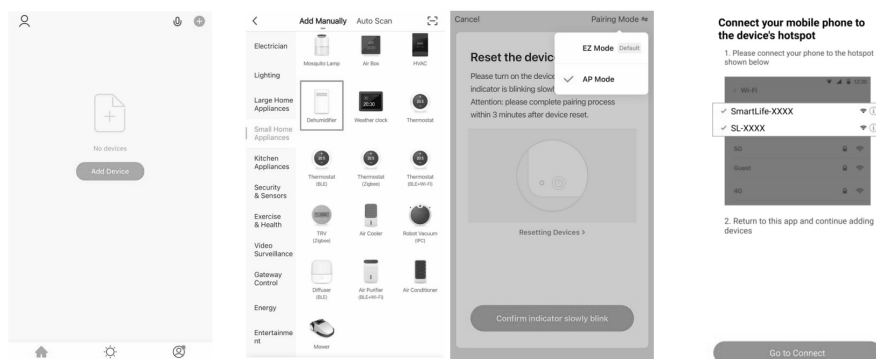


Come utilizzare l'app

Questo apparecchio consente di far funzionare l'apparecchio tramite la rete domestica WIFI. Un prerequisito è una connessione WIFI permanente al router e l'app gratuita "Smart Life". Si consiglia di scollegare l'apparecchio dalla rete elettrica quando si è fuori casa per evitare accensioni involontarie durante il viaggio!

Messa in servizio tramite app

1. Installa l'app "Smart Life". Crea un account utente.
2. Attivare la funzione WIFI nelle impostazioni del proprio apparecchio - toccare il pulsante TIMER per almeno 5 secondi
3. Posizionare l'apparecchio a una distanza di circa 5 metri dal router.
4. Finché l'alimentazione è accesa, l'indicatore WIFI lampeggia lentamente. Dopo 3 minuti, lo stato sarà annullato se non è presente alcuna configurazione di rete e la spia è spenta. Se è necessario ricollegare il WIFI, longtouch il pulsante "TIMER" per 5 secondi per avviare la configurazione di rete, l'indicatore WIFI lampeggia lentamente.
5. Quando l'indicatore WIFI lampeggia lentamente, selezionare "Aggiungi dispositivo"- "Piccoli elettrodomestici"- "Deumidificatore" e segui le istruzioni sull'app Smart Life. Seleziona "Modalità AP" in alto a destra dell'app, scegli "Conferma indicatore lampeggia lentamente" e premi "Vai a Connetti" per connettere il WIFI chiamato "SmartLife-XXXX".
6. Se l'indicatore WIFI lampeggia rapidamente, può essere collegato direttamente.
7. Una volta che l'apparecchio è stato connesso con successo, la spia WIFI si accende. Ora puoi utilizzare il apparecchio utilizzando l'app.
8. Tenere premuto il pulsante TIMER per circa 5 secondi, l'apparecchio si disconnette e l'indicatore WIFI si spegne.



RISOLUZIONE DEI PROBLEMI

Connessione di rete non riuscita	Soluzione
Timeout della connessione di rete	<ol style="list-style-type: none">1. Verificare di aver selezionato il WIFI denominato "SmartLife-XXXX".2. Spegner la macchina e scollegare il codice di alimentazione e il plug-in dopo 10 secondi, accedere all'app per connettersi di nuovo.
Indicatore WIFI spento	Premere a lungo il pulsante "Timer" o spegnere la macchina e scollegare il codice di alimentazione e il plug-in dopo 10 secondi.
L'hotspot WIFI scompare e la spia WIFI lampeggia	Spegner la macchina e scollegare il codice di alimentazione e il plug-in dopo 10 secondi, accedere all'App per connettersi di nuovo.

EN 2 Years Warranty

This warranty covers defects of construction, manufacturing and material. Excluded are all wearing parts and improper usage, or consequential damages due to lack of cleaning of the appliance.

RO Garantie 3 ani (valabil numai in Romania)

Aceasta garantie acopera defectele de constructie, fabricatie si materialele din care este confectionat dispozitivul. Nu fac obiectul garantiei utilizarea necorespunzatoare , uzura normala a elementelor sau defectele aparute in urma necuratarii corespunzatoare a dispozitivului.

DE 2 Jahre Garantie

Diese Garantie deckt Konstruktions-, Verarbeitungs- und Materialfehler ab, aus denen das Gerät besteht. Unsachgemäße Verwendung, normaler Verschleiß der Elemente oder Mängel aufgrund unsachgemäßer Reinigung des Geräts unterliegen nicht der Garantie.

ES Garantía 2 años

Esta garantía cubre los defectos de construcción, fabricación y los materiales de los que está hecho el dispositivo. No están cubiertos por la garantía el desgaste normal de los componentes o los defectos resultantes de la falta de limpieza adecuada del dispositivo.

FR Garantie 2 ans

Cette garantie couvre les défauts de construction, de fabrication et les matériaux dont le dispositif est fait. Garantie ne couvre pas l'utilisation inappropriée, l'usure normale des éléments ou les défauts apparus après le manque de nettoyage approprié du dispositif.

IT 2 anni di garanzia

Questa garanzia copre difetti di costruzione, di produzione e di materiale. L'uso improprio, la normale usura degli elementi o difetti derivanti da una pulizia impropria del dispositivo non sono soggetti a garanzia.

